

Page 2

Connectors to QuickStart Boards and JTAG

Page 3

Peripherals and powering

UL = UnLoaded = normally not mounted component.

Default jumper settings are indicated in the schematic.
However, always check jumper positions on actual boards
since there is no guarantee that all jumpers are in default place.

Ver 1.2

Updated +5V powering; removed J32, F1, changed D2
Added R5, R44, R45, LED18-LED19

Ver 1.1

Added J17 and R25, R27, R30-R32, R35, R37
Rearranged pcb layout

Ver 1.0

First version



© Embedded Artists AB

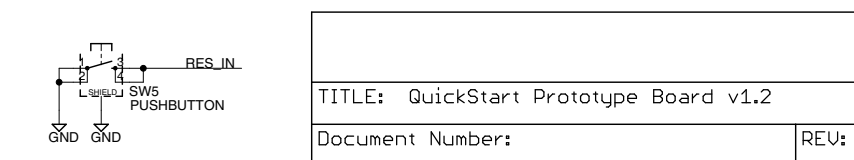
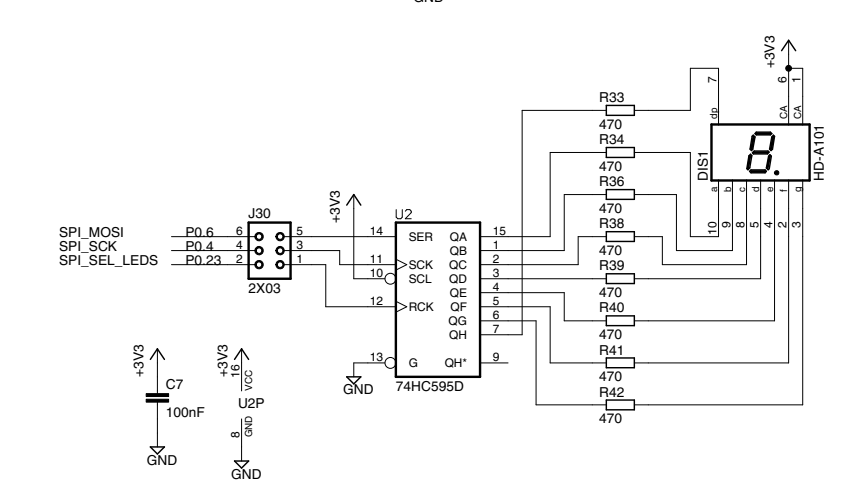
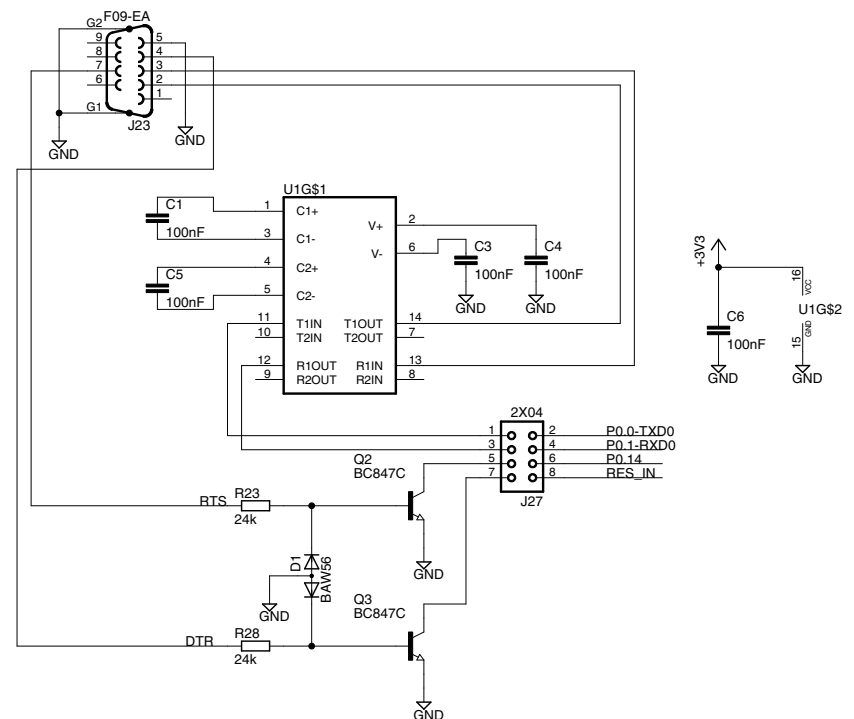
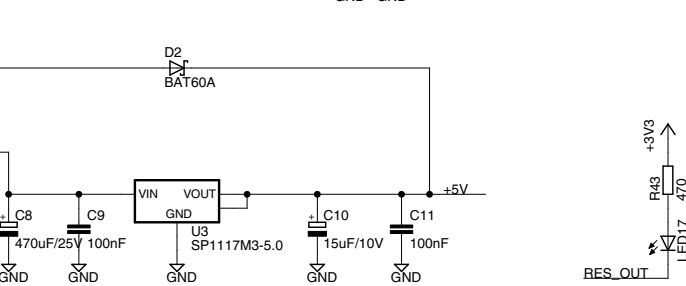
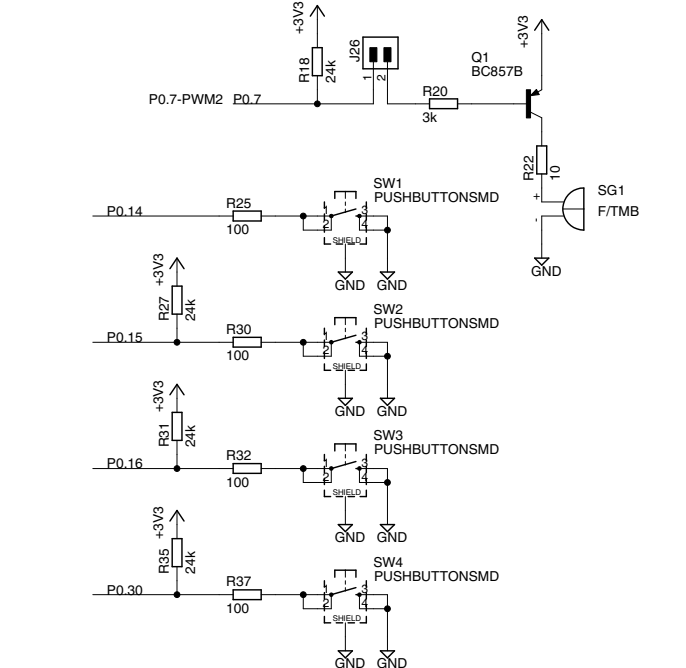
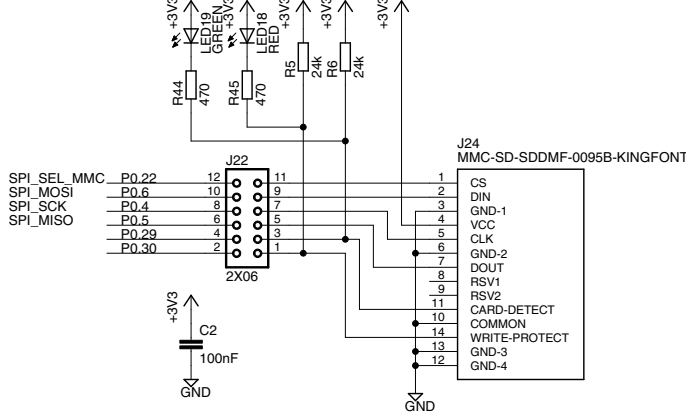
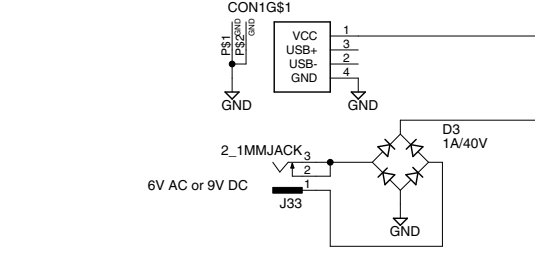
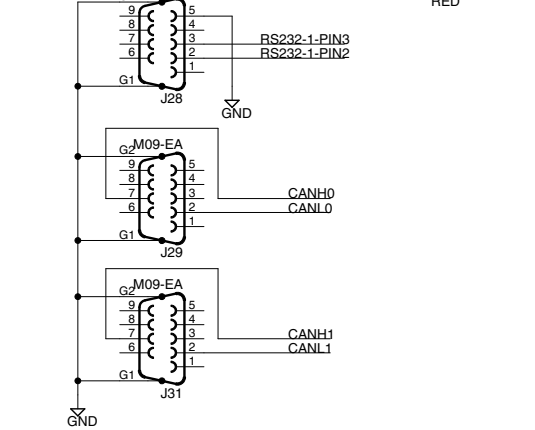
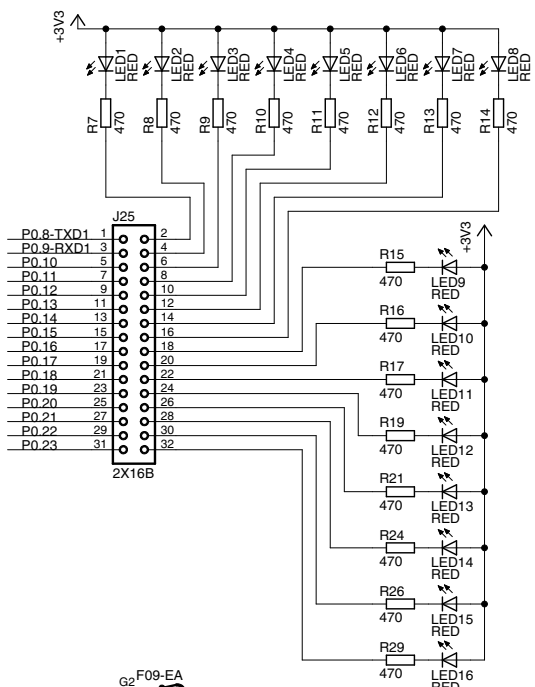
TITLE: QuickStart Prototype Board v1.2

Document Number:

REV:

Date: 2009-07-23 23:48:34

Sheet: 1/3



TITLE: QuickStart Prototype Board v1.2	
Document Number:	REV:
Date: 2009-07-23 23:48:34	Sheet: 3/3