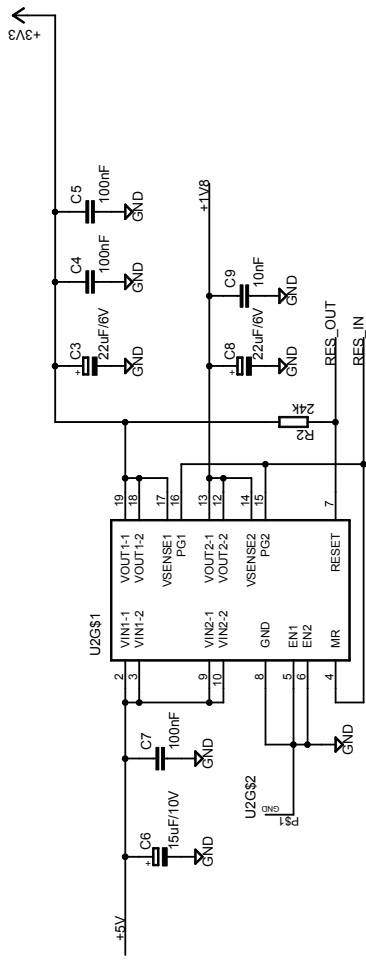
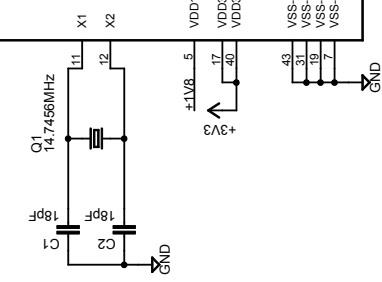
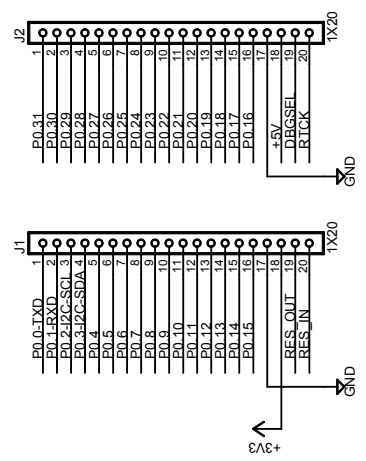
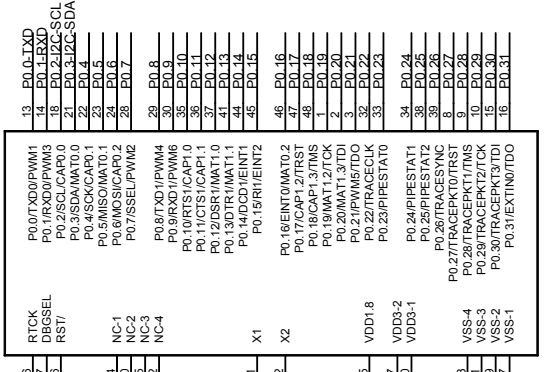


U1
LPC2106



TITLE: LPC2106 QuickStart Board v1.0.1

Document Number: EA-SCH-0502-1

Date: 4/28/2005 09:45:32a

REV: U1.0

Sheet: 1/1