

UL = UnLoaded = normally not mounted component.

Default jumper settings are indicated in the schematic.
However, always check jumper positions on actual boards
since there is no guarantee that all jumpers are in default place.

Rev A

Added jumper for backlight control.

Rev PA1

First prototype.



© Embedded Artists AB

TITLE: QVGA Display to OEM BB rev A

Document Number:

REV:

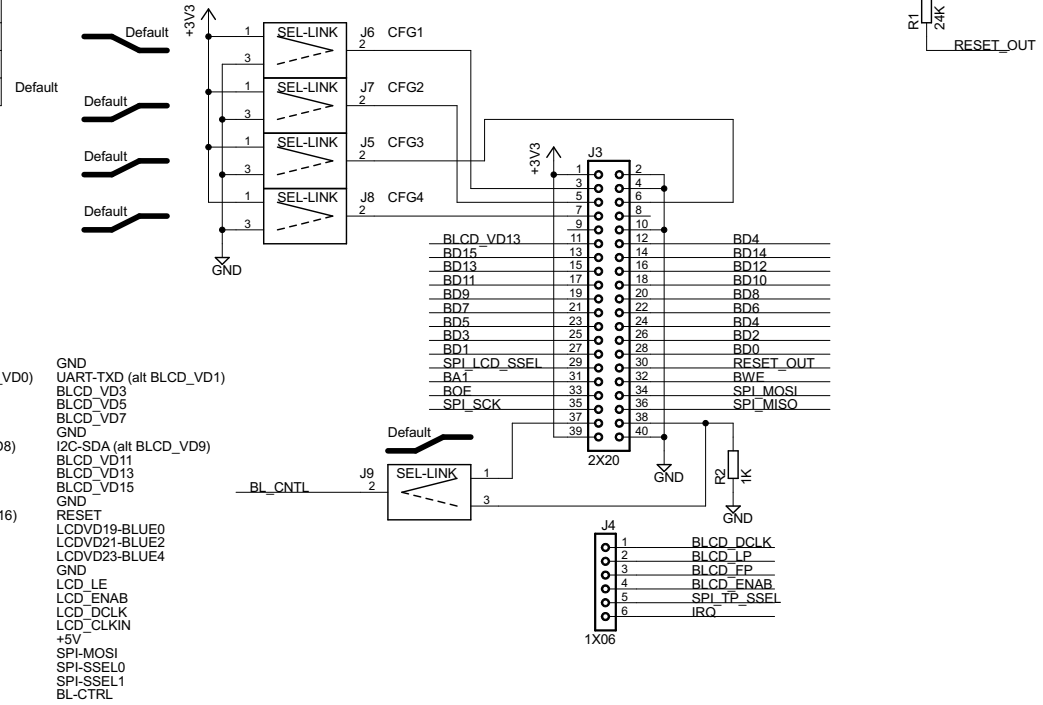
Date: 2011-05-04 11:48:00

Sheet: 1/2

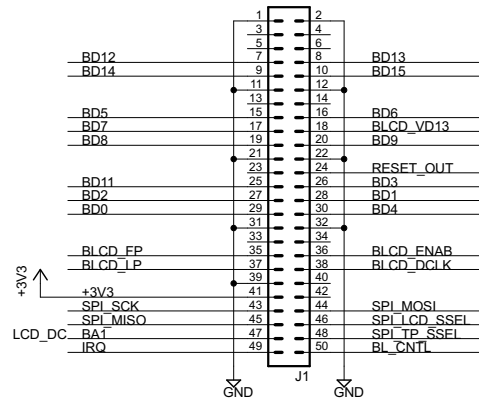
Interface Setting

CFG1	CFG2	CFG3	CFG4	Interface mode
HIGH	LOW	LOW	HIGH	16-bit parallel
LOW	LOW	HIGH	LOW	9-bit parallel
LOW	LOW	LOW	HIGH	8-bit parallel
HIGH	LOW	LOW	LOW	RGB + 4-wire SPI

Connector for color QVGA LCD



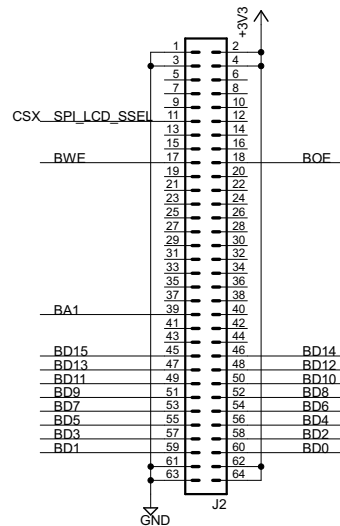
LCD Expansion Connector



GND
UART-RXD (alt BLCD_VD0)
BLCD_VD2
BLCD_VD4
BLCD_VD6
GND
I2C-SCL (alt BLCD_VD8)
BLCD_VD10
BLCD_VD12
BLCD_VD14
GND
SPARE (alt BLCD_VD16)
LCDVD20-BLUE1
LCDVD20-BLUE1
LCDVD22-BLUE3
GND
LCD PWR
LCD_FP
LCD_ENAB
LCD_LP
GND
+3V3
SPI_SCK
SPI_MISO
LCD_DC
IRQ

GND
UART-TXD (alt BLCD_VD1)
BLCD_VD3
BLCD_VD5
BLCD_VD7
GND
I2C-SDA (alt BLCD_VD9)
BLCD_VD11
BLCD_VD13
BLCD_VD15
GND
RESET
LCDVD19-BLUE0
LCDVD21-BLUE2
LCDVD23-BLUE4
GND
LCD LE
LCD_ENAB
LCD_DCLK
LCD_CLKIN
+5V
+3V3
SPI-MOSI
SPI-SSEL0
SPI-SSEL1
BL-CTRL

Expansion connector for external memory bus (16-bit)



(C) Embedded Artists AB

TITLE: QVGA Display to OEM BB rev A

Document Number:

REV:

Date: 2011-05-04 11:48:00

Sheet: 2/2