

REVISIONS			
REV	DESCRIPTION	DATE	APPROVED
.1	- Add external PU for nRESET LPC812, LPC11U35; - Add Serial Interface 2x7 0.050" hdr; - Add PCA9691 4-Chan ADC;	12/19/2012	
1	Re-order RefDes	1/2/2013	
2	Corrected P1 p/n FTSH-107-01-L-DV-K	1/30/2013	
3	- Changed I2C ADC U5 to PCF8591T - Add I2C IO Expander PCA9672 (U6)	4/10/2013	

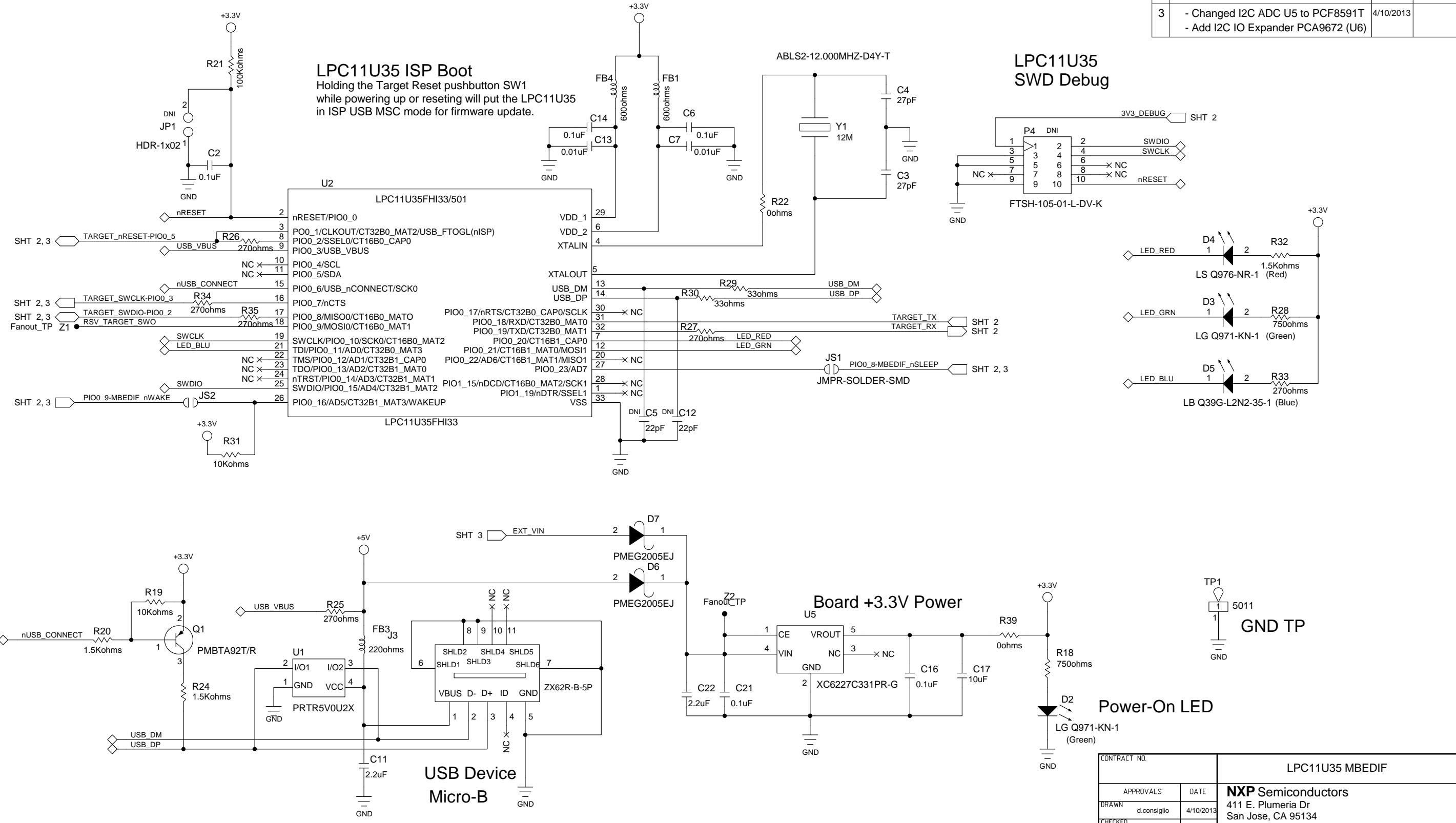
LPC11U35 ISP Boot
Holding the Target Reset pushbutton SW1 while powering up or resetting will put the LPC11U35 in ISP USB MSC mode for firmware update.

LPC11U35 SWD Debug

Board +3.3V Power

USB Device Micro-B

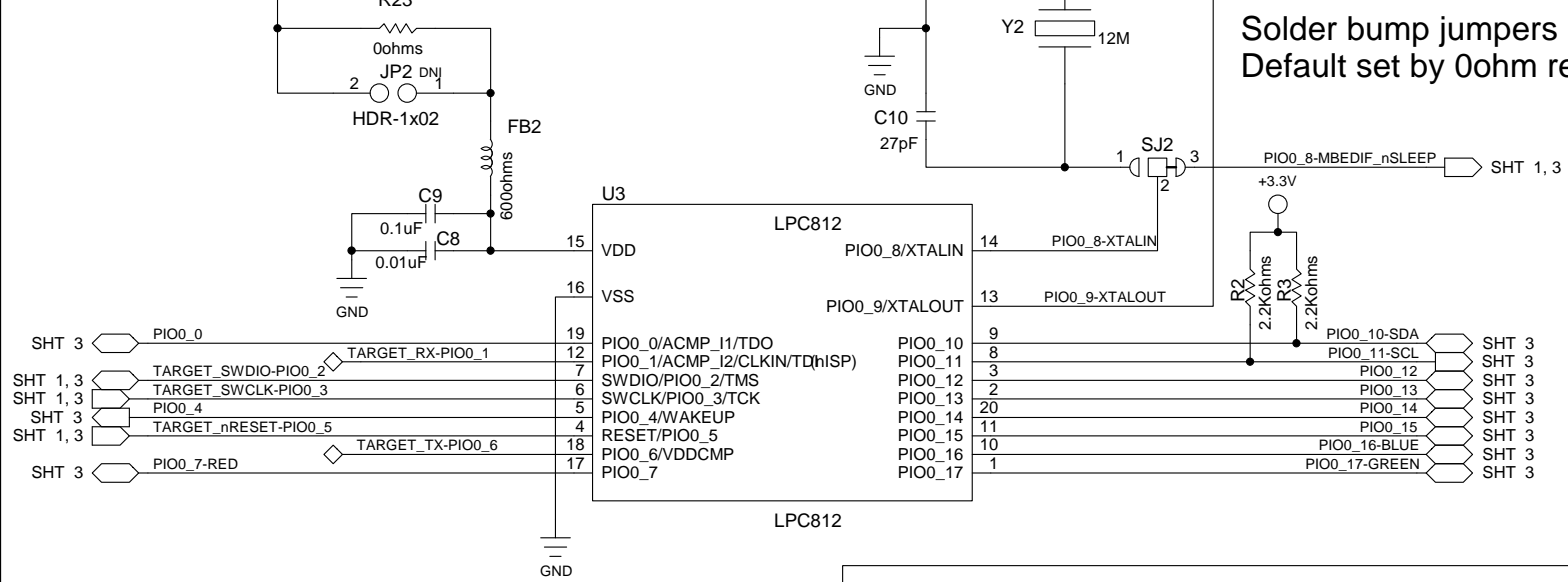
Power-On LED



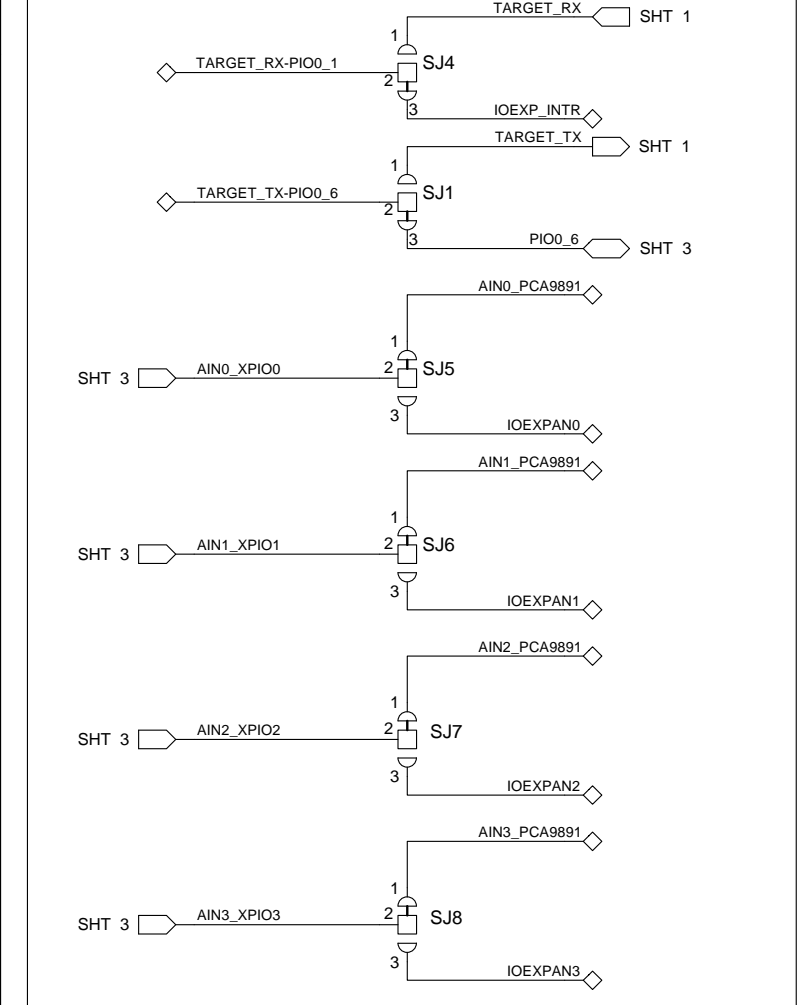
CONTRACT NO.		LPC11U35 MBEDIF		
APPROVALS	DATE	NXP Semiconductors		
DRAWN d.consiglio	4/10/2013	411 E. Plumeria Dr San Jose, CA 95134 www.standardics.nxp.com/microcontrollers/		
CHECKED		SIZE	FSM NO.	DWG. NO.
ISSUED	4/10/13	D		LPC812-MAX
SCALE				REV 3
				SHEET 1 OF 03

REVISIONS			
REV	DESCRIPTION	DATE	APPROVED

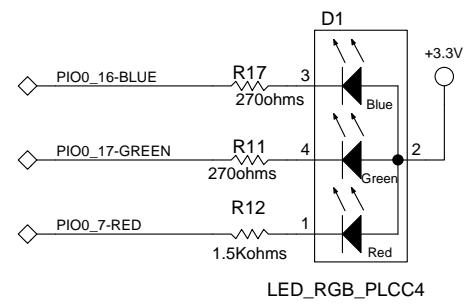
Target LPC812



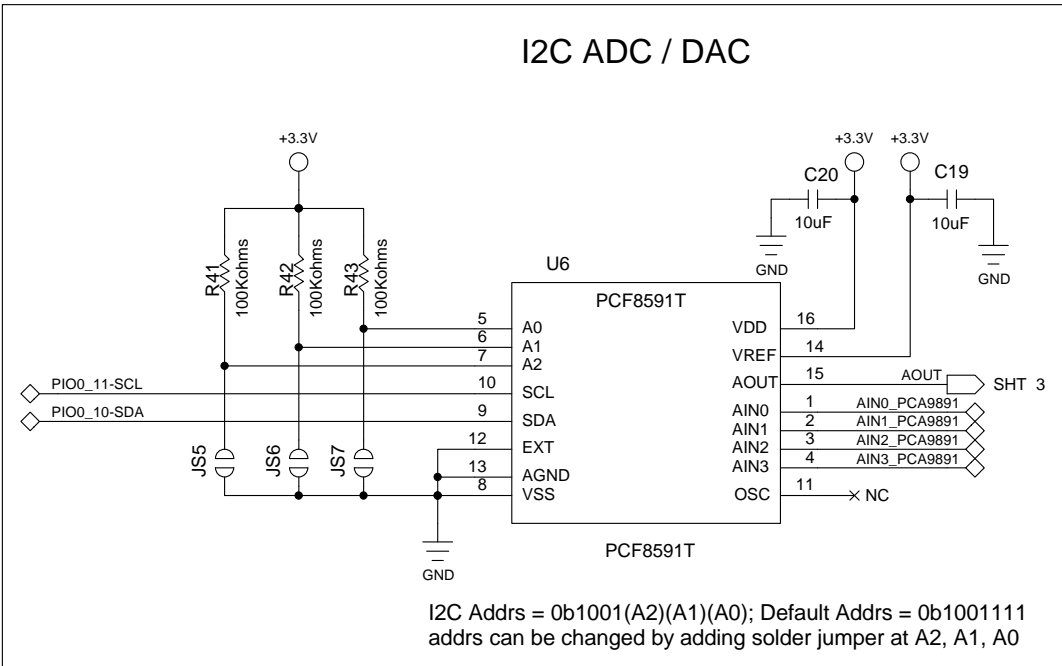
Solder bump jumpers Default set by 0ohm resistor



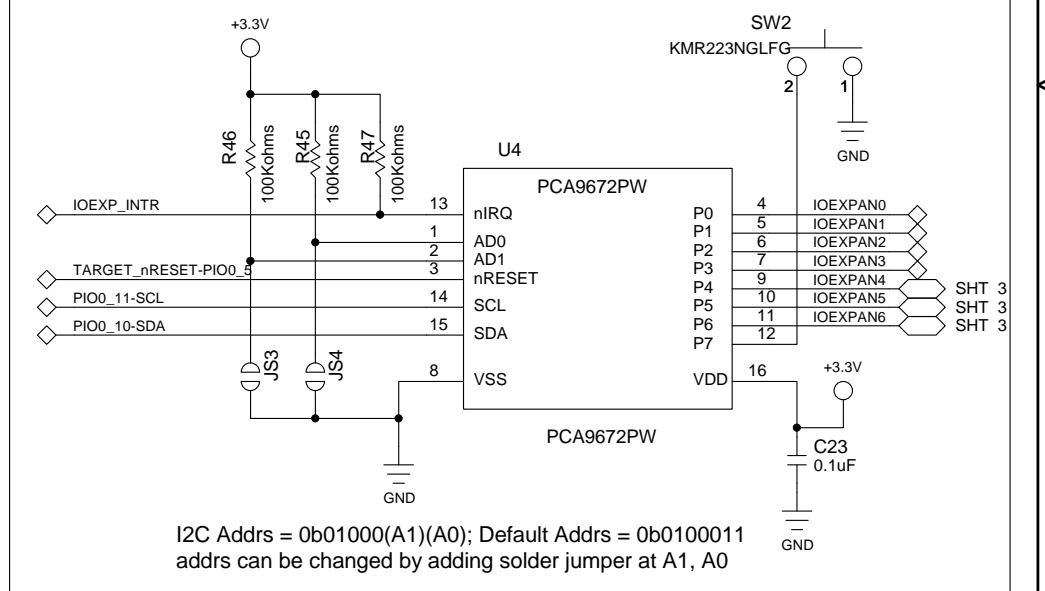
RGB LED



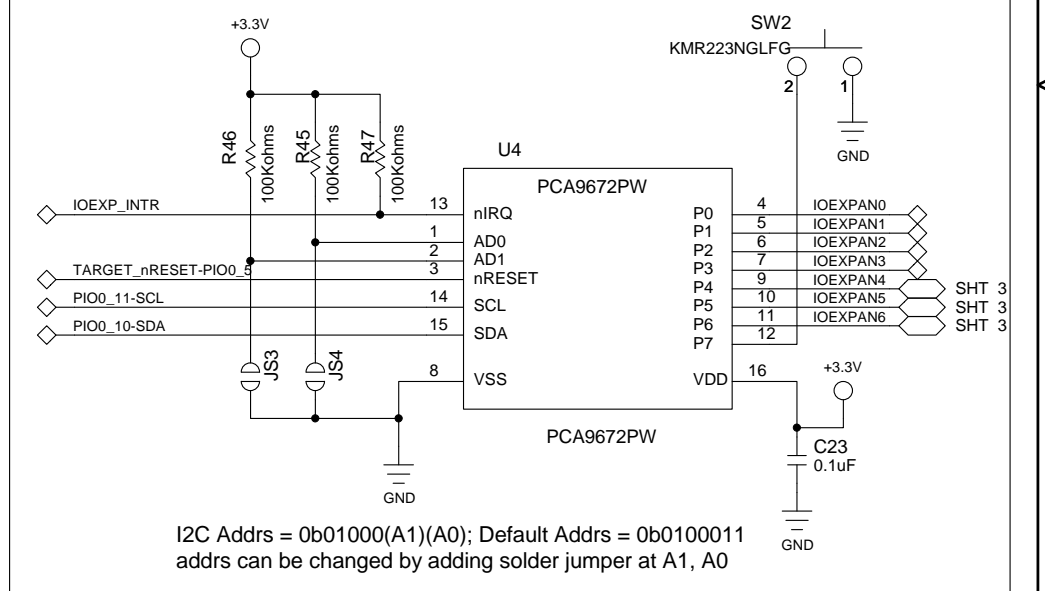
I2C ADC / DAC



I2C GPIO Expander



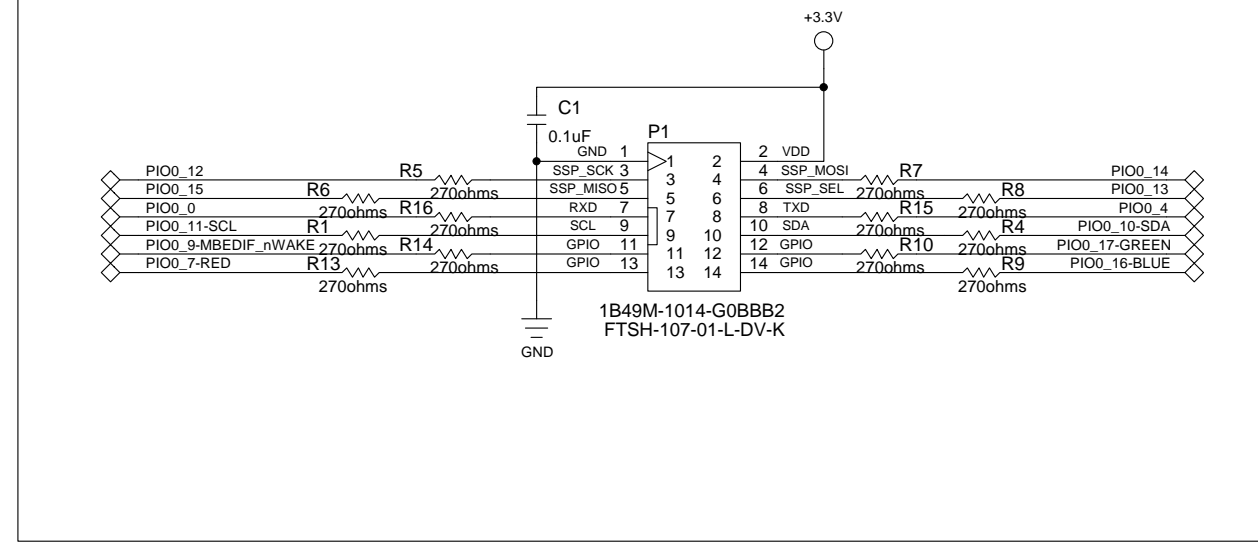
User defined pushbutton



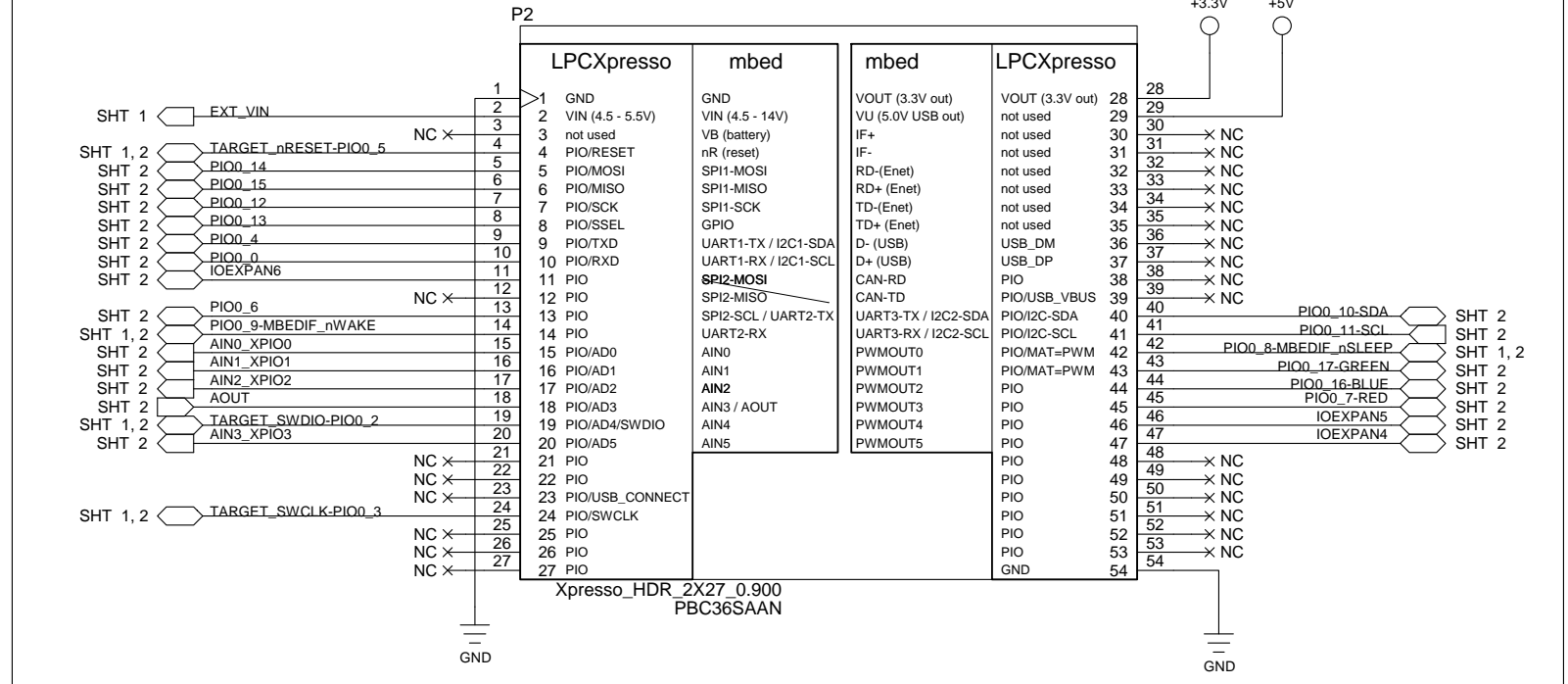
CONTRACT NO.		LPC812 Target MCU		
APPROVALS	DATE	NXP Semiconductors		
DRAWN	d.consiglio	411 E. Plumeria Dr		
CHECKED		San Jose, CA 95134		
ISSUED	4/10/13	www.standardics.nxp.com/microcontrollers/		
		SIZE	DWG. NO.	REV
		D	LPC812-MAX	3
		SCALE	SHEET	2 OF 03

REVISIONS			
REV	DESCRIPTION	DATE	APPROVED

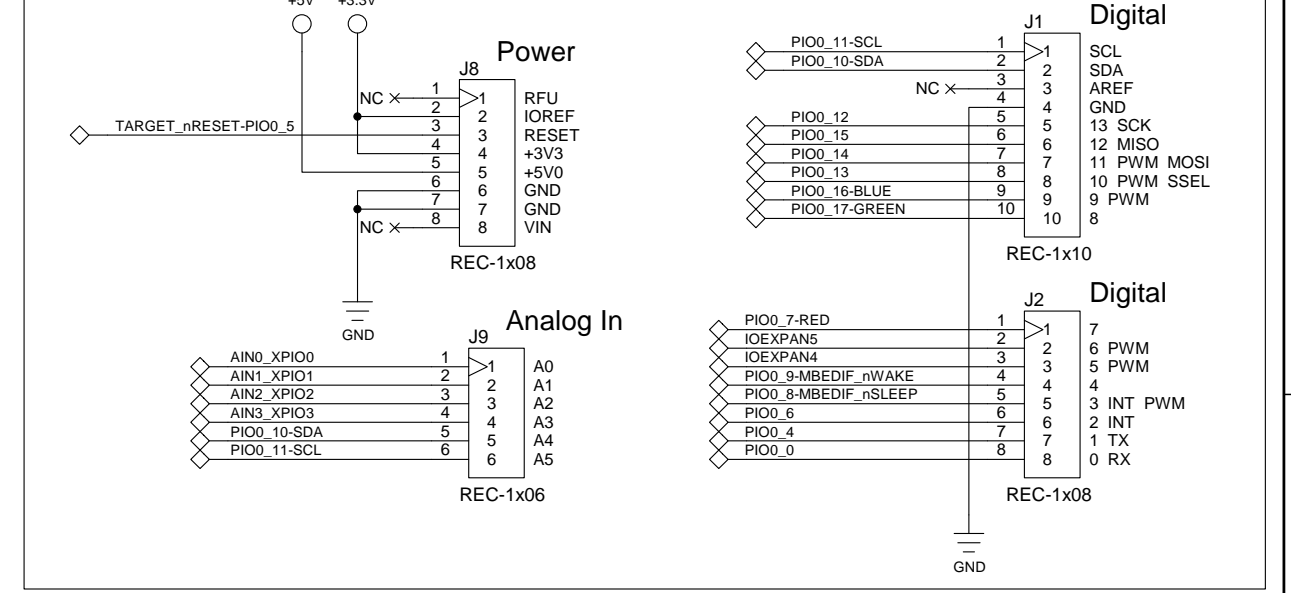
EA Serial header



LPCXpresso & MBED header (Bottom side of PCB)



Arduino Receptacles



CONTRACT NO.		Arduino/ Xpresso/EA Serial/Breadboard headers		
APPROVALS	DATE	NXP Semiconductors 411 E. Plumeria Dr San Jose, CA 95134 www.standardics.nxp.com/microcontrollers/		
DRAWN	d.consiglio			
CHECKED				
ISSUED	4/10/13			
SCALE		SIZE/FSCM NO.	DWG. NO.	REV
		D	LPC812-MAX	3
		SHEET 3 OF 03		