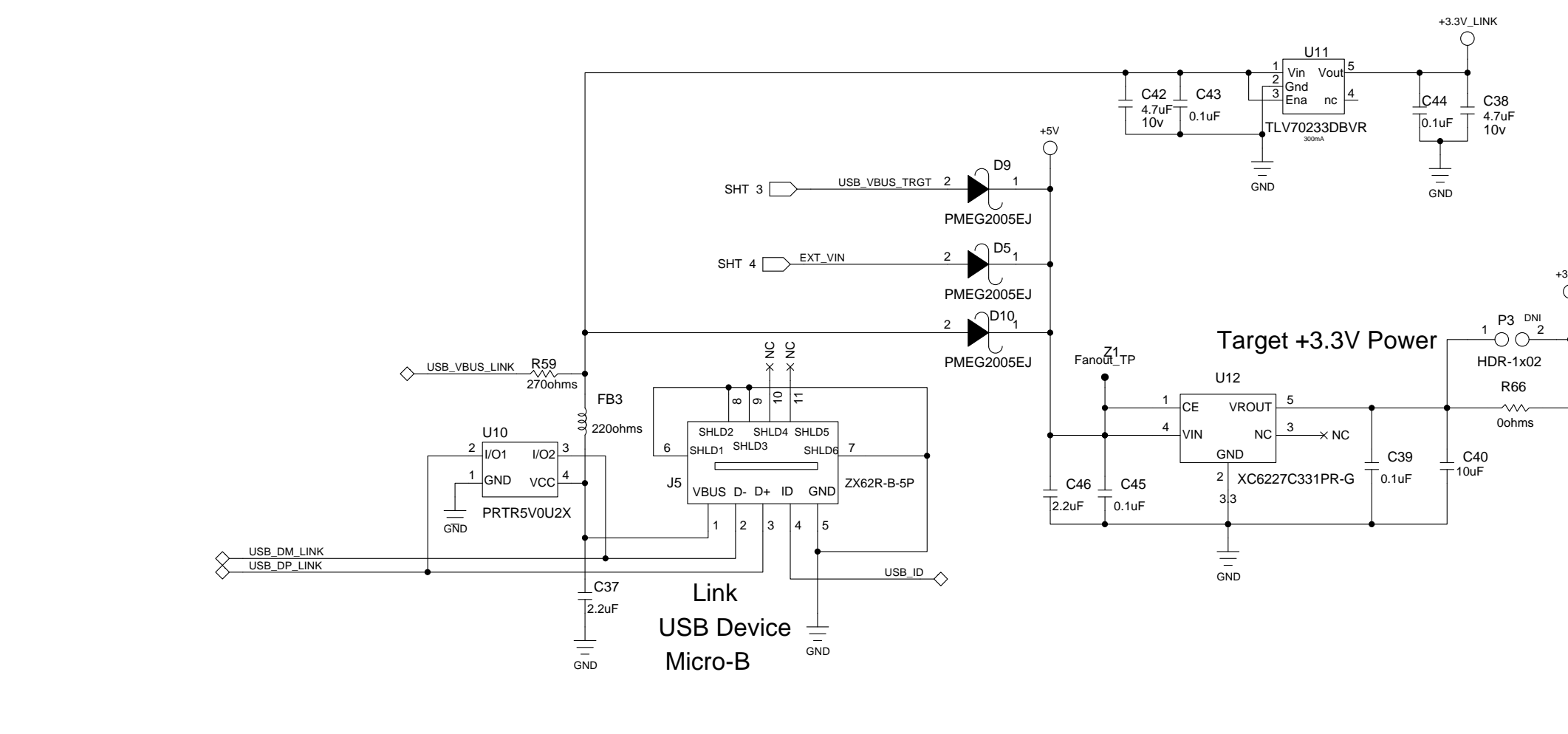
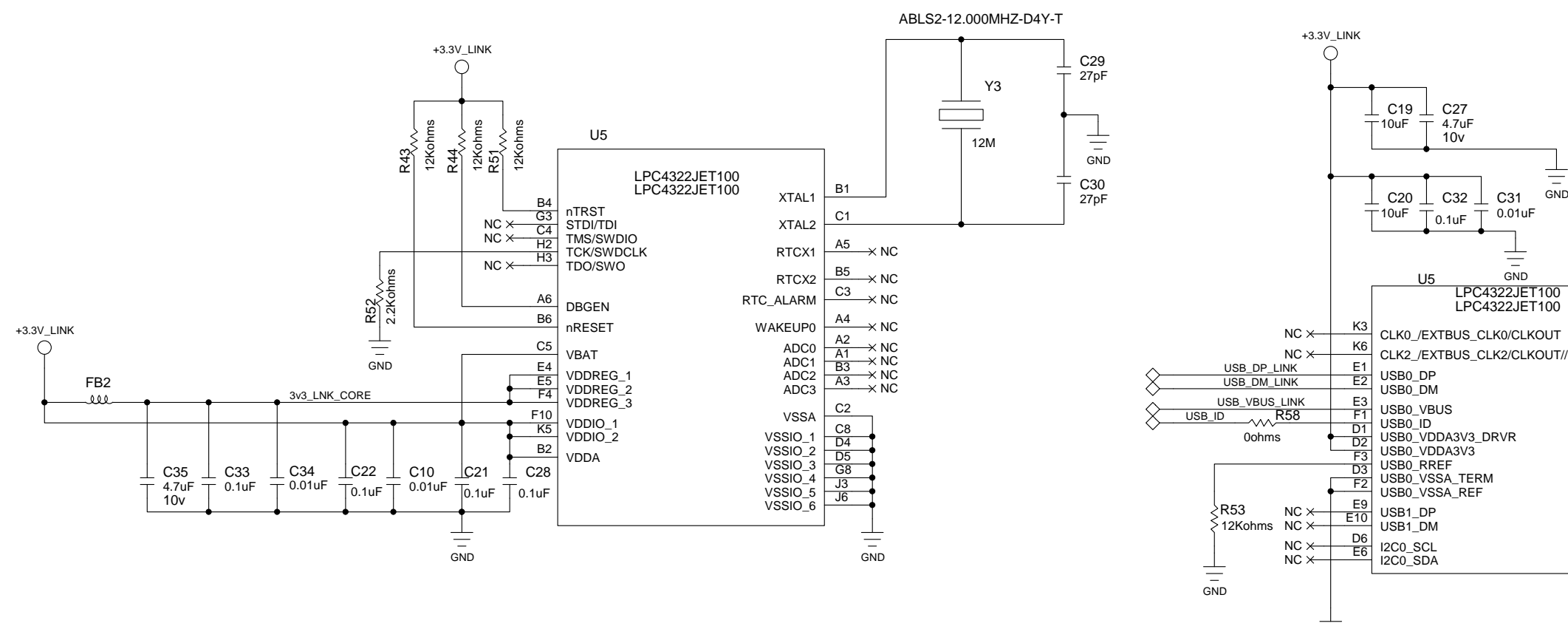
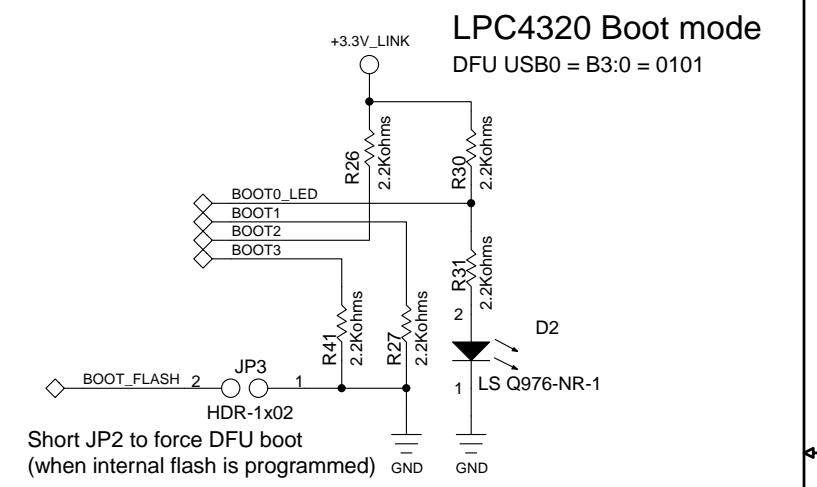
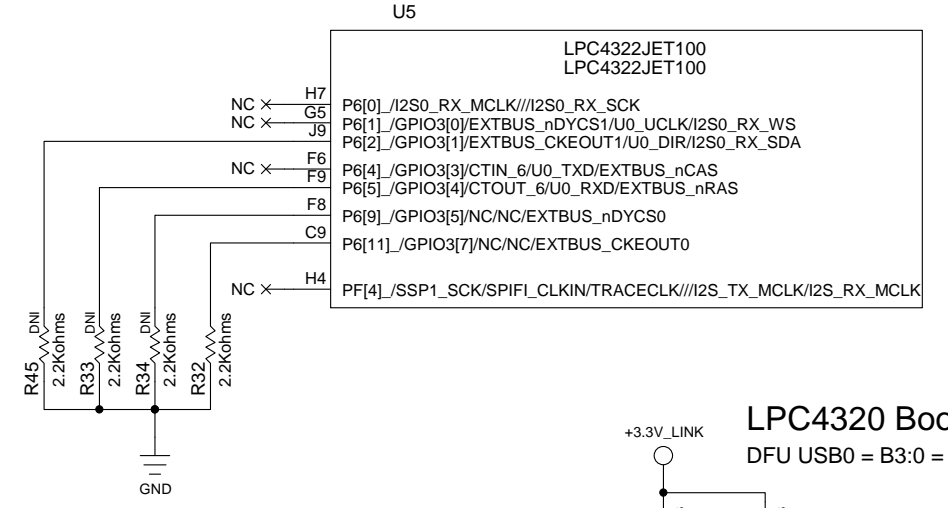
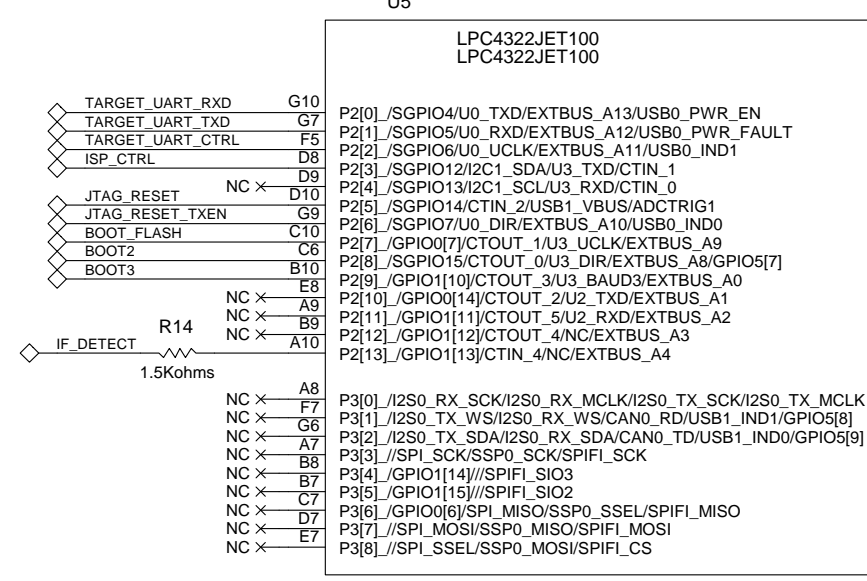
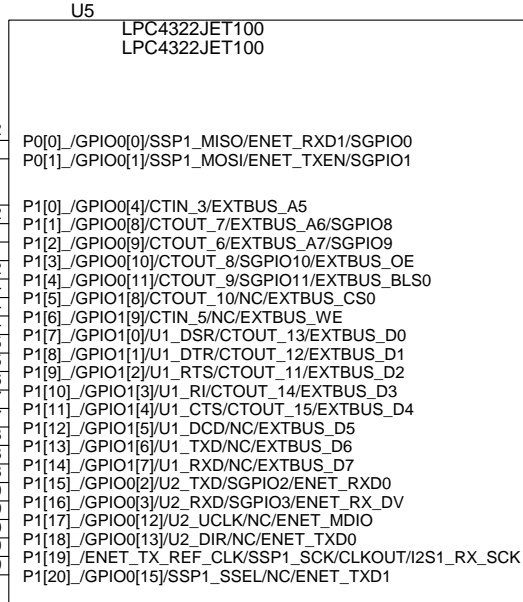


| REVISIONS | | | |
|-----------|--|------------|----------|
| REV | DESCRIPTION | DATE | APPROVED |
| B | - Change Y1 crystal to 12.5pF load - Change Y1 load caps to 18pF - Add new SWD/JTAG I/F crct; sht 2 - fix ISPO; Add ISP1 sw2; sht 3 - Add Target Reset sw4; sht 3 - change Port pin for C-SENSE-A, C-SENSE-B, C-SENSE-C, Tri-color LED (sht 3/4). | 11/30/2013 | |
| B1 | - Add note to ISP Boot table (sht 3). | 01/09/2014 | |
| B2 | - correct joystick name labels (sht 3,4). | 03/03/2014 | |



| | | | | |
|--------------|-------------|--|-----------------|----------|
| CONTRACT NO. | | LINK LPC4322 | | |
| APPROVALS | DATE | NXP Semiconductors 411 E. Plumeria Dr San Jose, CA 95134 www.standardics.nxp.com/microcontrollers/ | | |
| DRAWN | d.consiglio | | | 3/3/2014 |
| CHECKED | | | | |
| ISSUED | 03/03/14 | SIZE | D | |
| | | FWSCM NO. | | |
| | | DWG. NO. | Xpresso-LPC1549 | |
| | | REV | B2 | |
| | | SCALE | SHEET 1 OF 04 | |

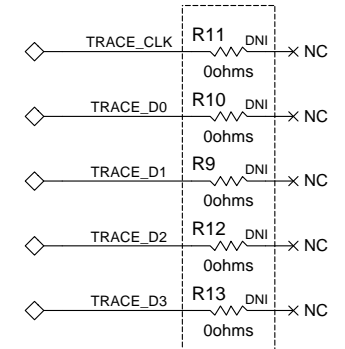
| REVISIONS | | | |
|-----------|-------------|------|----------|
| REV | DESCRIPTION | DATE | APPROVED |
| | | | |



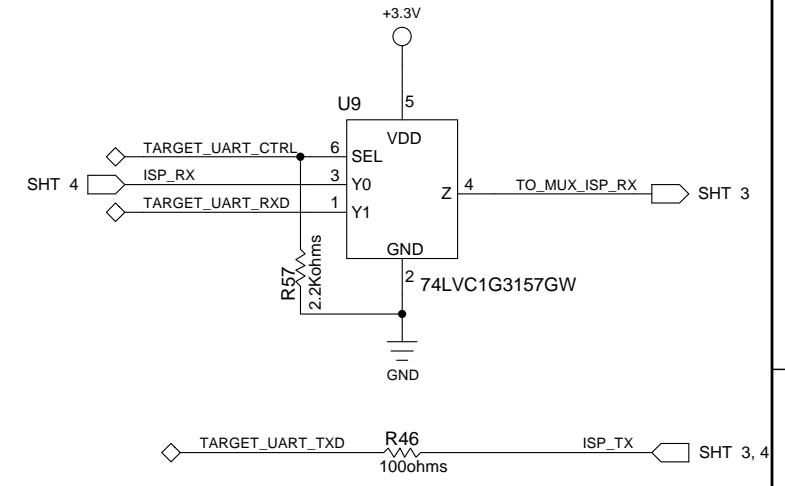
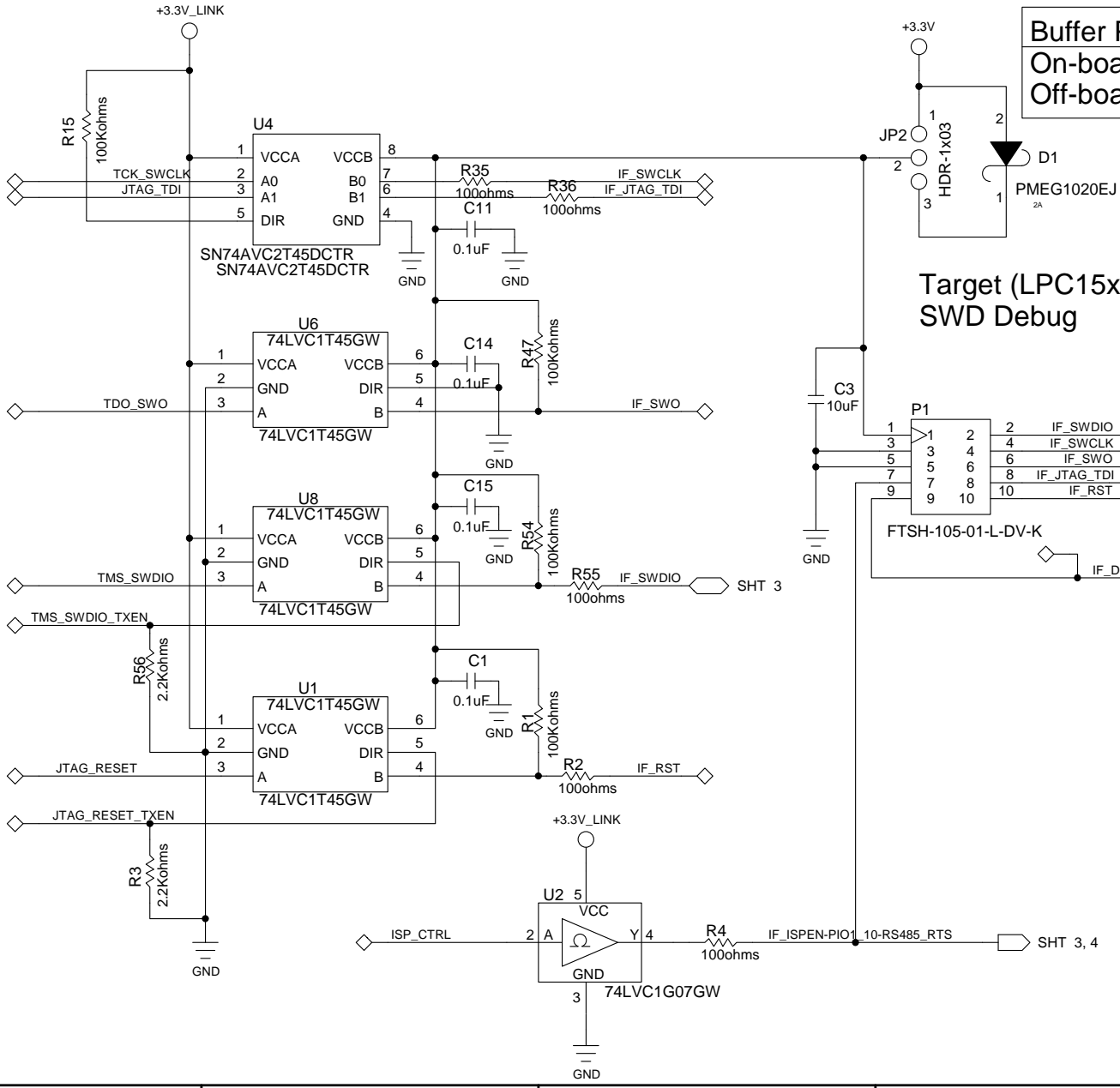
Buffer Pwr Select (JP2)
On-board Target 1 - 2 (default)
Off-board Target 2 - 3

Target (LPC15xx) SWD Debug

Target to debug location (JP1)
On-board Target - open (default)
Off-board Target - short

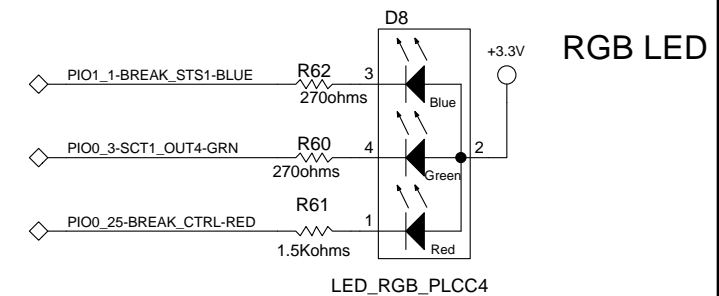
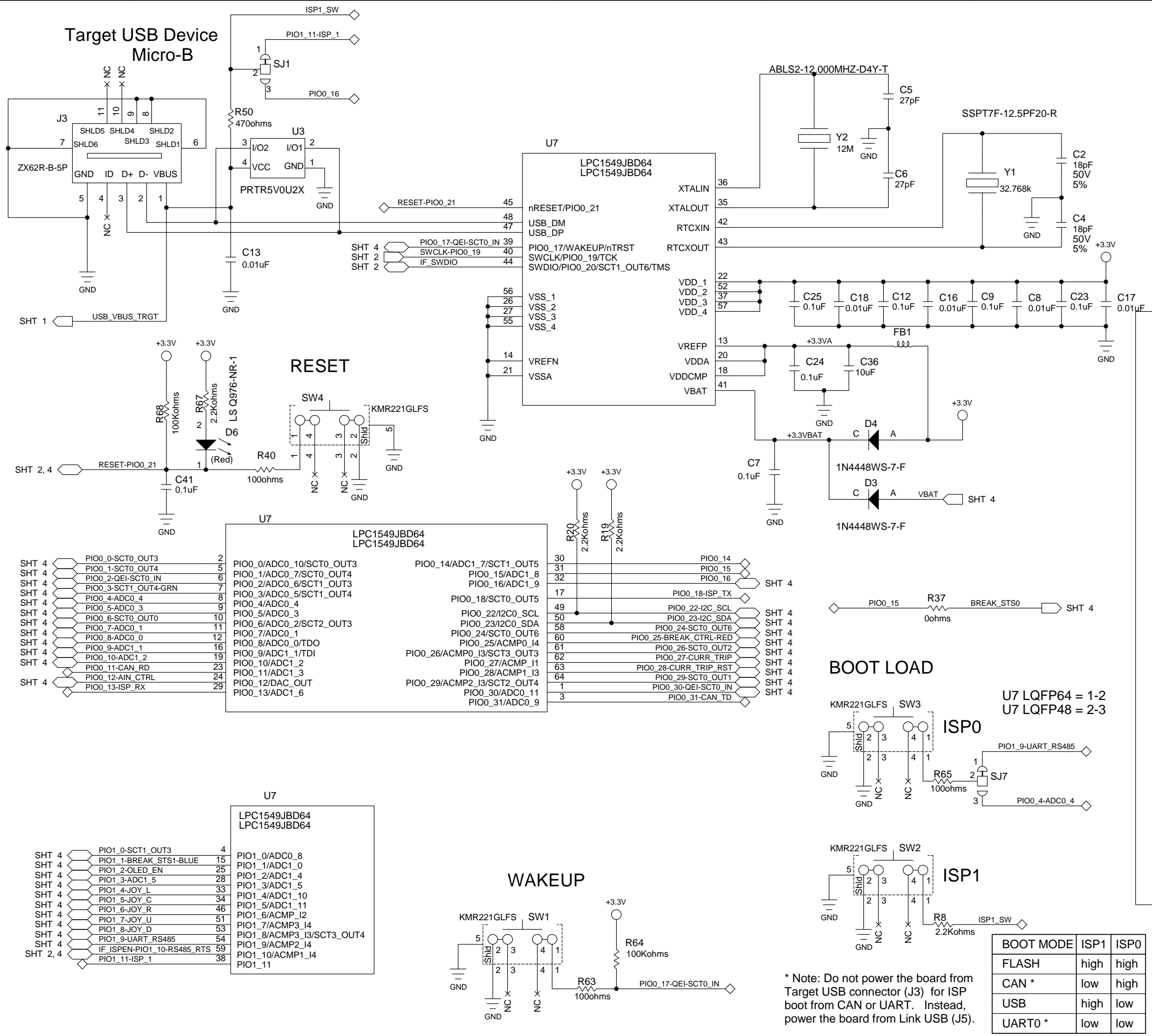


LPC1549 Target does not have trace.



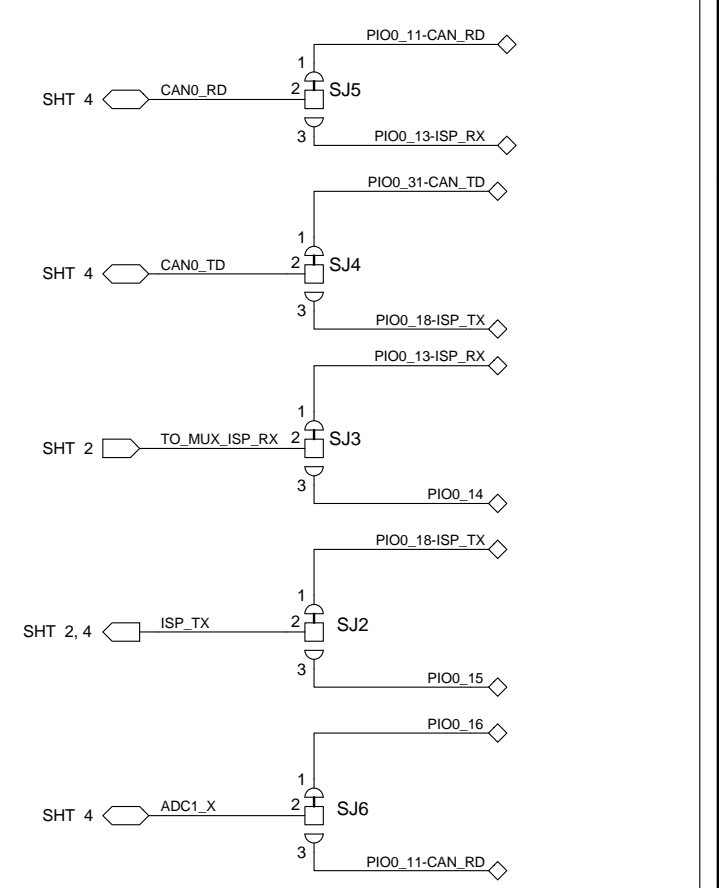
| | | | |
|-------------------|----------|---|---------------|
| CONTRACT NO. | | LINK LPC4322 | |
| APPROVALS | DATE | NXP Semiconductors | |
| DRAWN d.consiglio | 1/9/2014 | 411 E. Plumeria Dr San Jose, CA 95134 www.standardics.nxp.com/microcontrollers/ | |
| CHECKED | | SIZE D | FSCM NO. |
| ISSUED | 03/03/14 | DWG. NO. Xpresso-LPC1549 | REV. B2 |
| | | SCALE | SHEET 2 OF 04 |

| REVISIONS | | | |
|-----------|-------------|------|----------|
| REV | DESCRIPTION | DATE | APPROVED |
| | | | |



Solder bump jumpers
 Default set by 0ohm resistor

U7 LQFP64 = 1-2
 U7 LQFP48 = 2-3



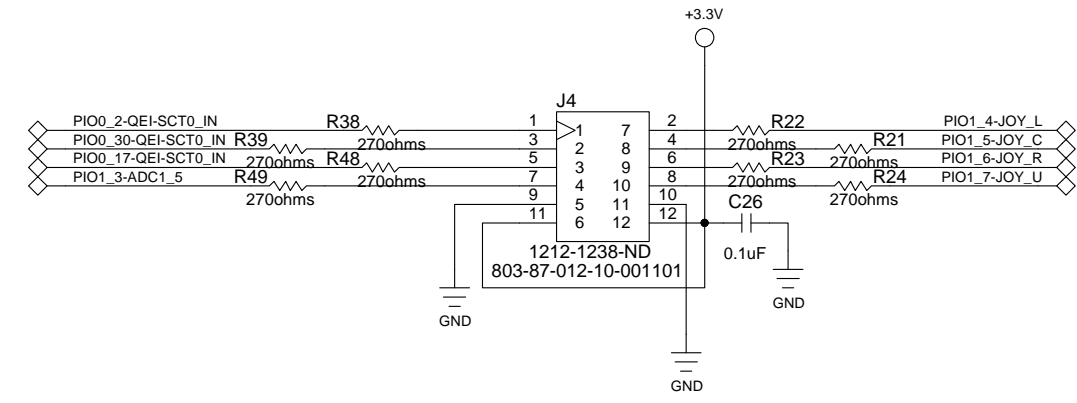
| BOOT MODE | ISP1 | ISP0 |
|-----------|------|------|
| FLASH | high | high |
| CAN * | low | high |
| USB | high | low |
| UART0 * | low | low |

* Note: Do not power the board from Target USB connector (J3) for ISP boot from CAN or UART. Instead, power the board from Link USB (J5).

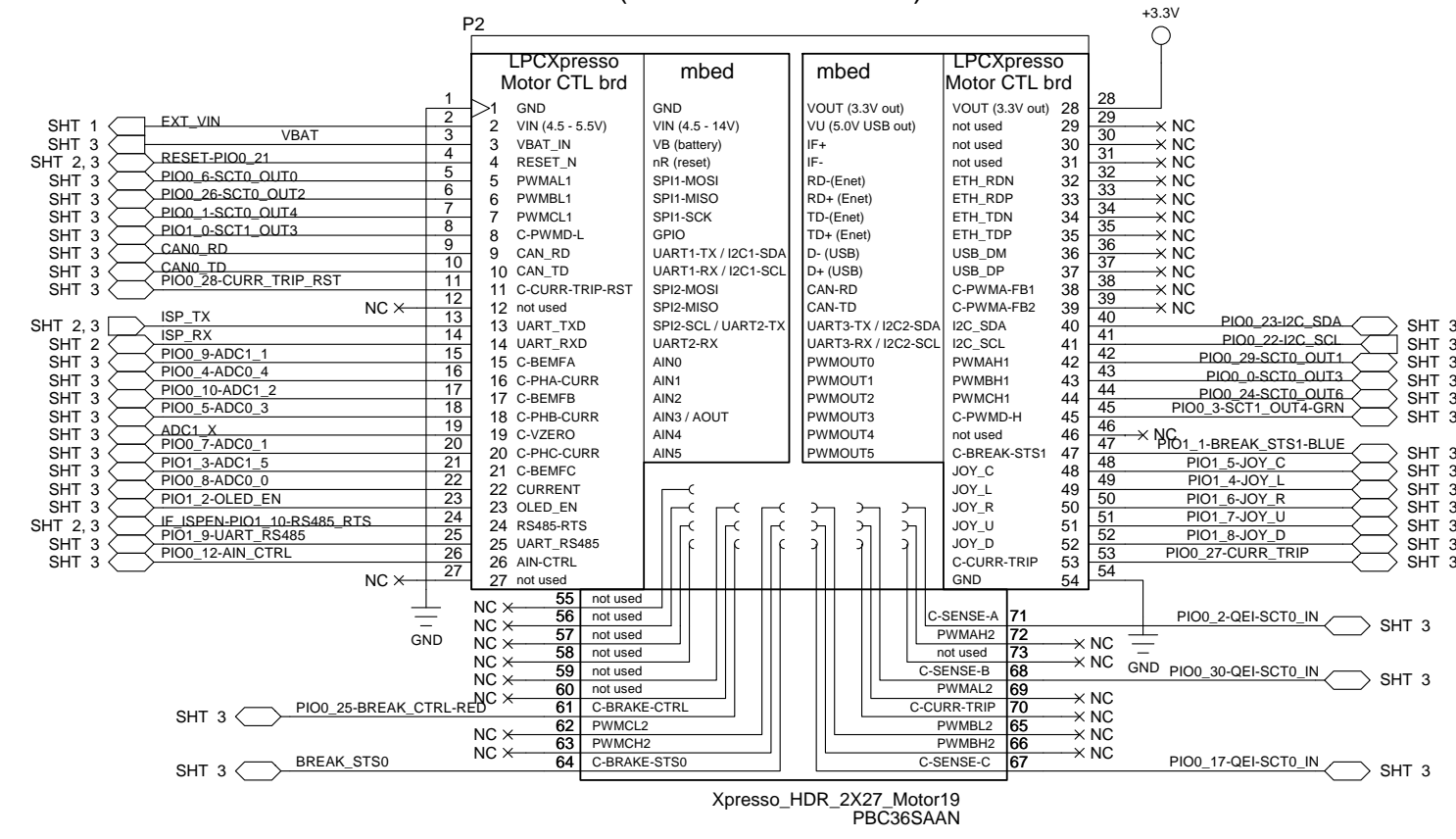
| | | | |
|--------------|----------|---|-----------------|
| CONTRACT NO. | | Target LPC1549 | |
| APPROVALS | DATE | NXP Semiconductors | |
| DRAWN | 3/3/2014 | 411 E. Plumeria Dr | |
| CHECKED | | San Jose, CA 95134 | |
| ISSUED | 03/03/14 | www.standardics.nxp.com/microcontrollers/ | |
| SCALE | | SIZE | FSCM NO. |
| | | DWG. NO. | Xpresso-LPC1549 |
| | | REV | B2 |
| | | SHEET 3 OF 04 | |

| REVISIONS | | | |
|-----------|-------------|------|----------|
| REV | DESCRIPTION | DATE | APPROVED |
| | | | |

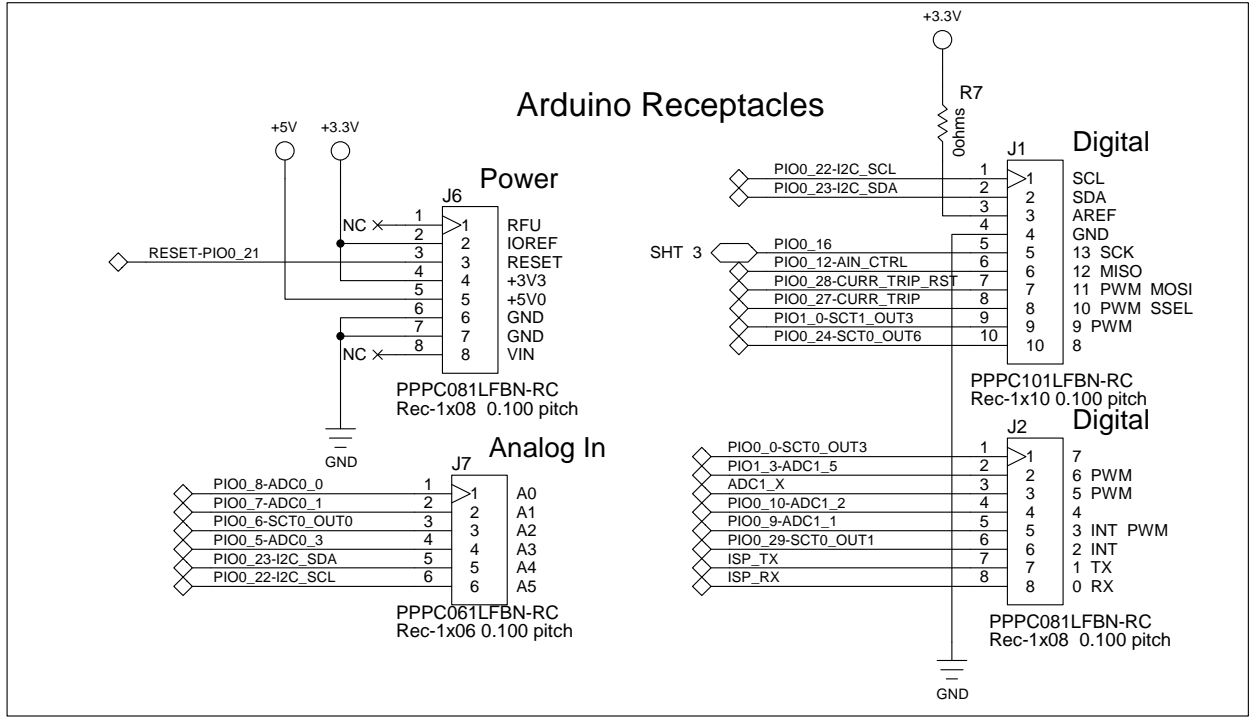
PMOD compatible header



LPCXpresso Motor Control brd header (Bottom side of PCB)



Arduino Receptacles



| | | | |
|--------------|----------------------|--|-----------------|
| CONTRACT NO. | | Xpresso MC/Arduino/PMOD headers | |
| APPROVALS | DATE | NXP Semiconductors 411 E. Plumeria Dr San Jose, CA 95134 www.standardics.nxp.com/microcontrollers/ | |
| DRAWN | d.consiglio 3/3/2014 | | |
| CHECKED | | SIZE | D |
| ISSUED | 03/03/14 | DWG. NO. | Xpresso-LPC1549 |
| | | REV | B2 |
| | | SCALE | SHEET 4 OF 04 |