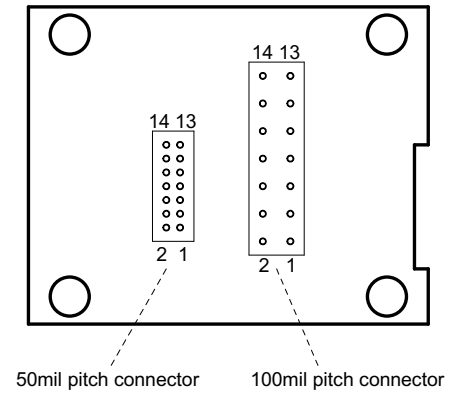
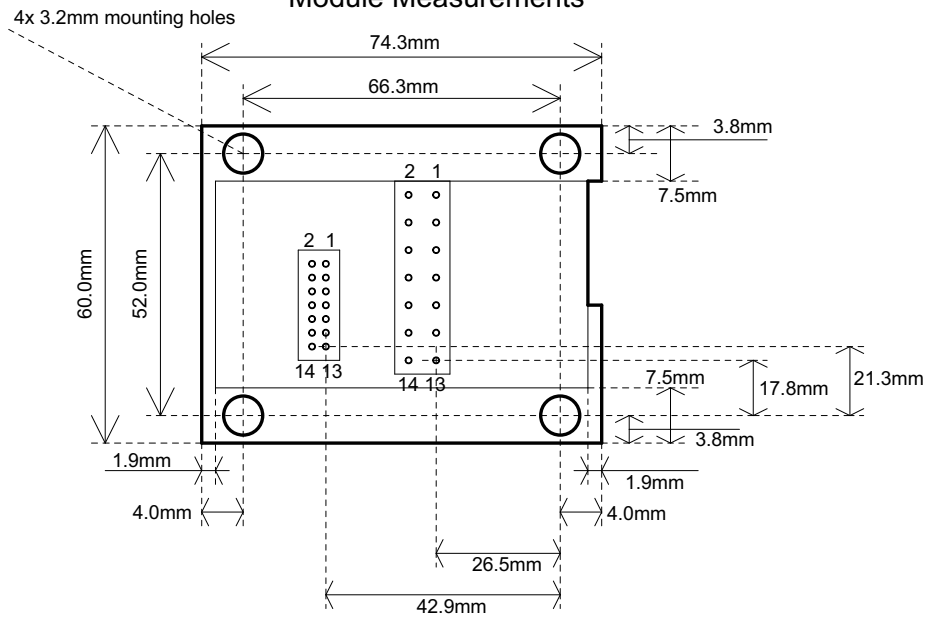


Display side

Component side

### Module Measurements



Note that connectors are on component side.



(C) Embedded Artists AB

TITLE: E-paper Display Adapter Board rev C

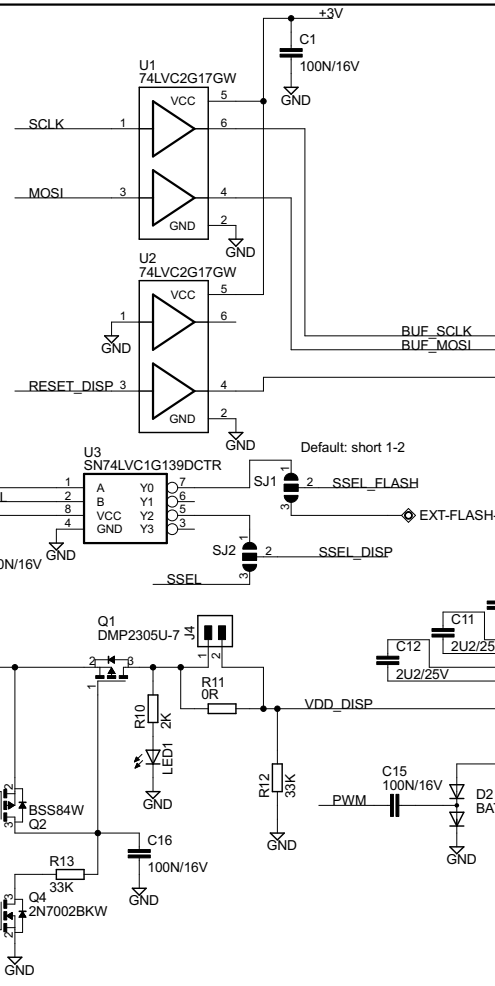
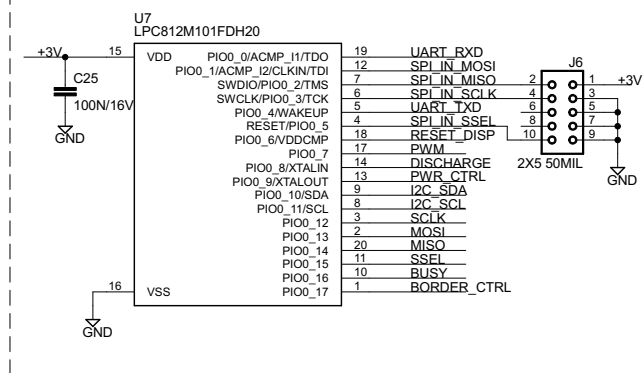
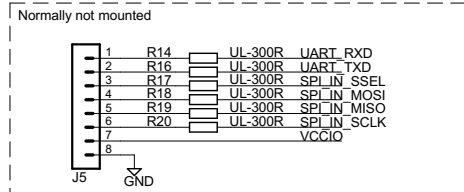
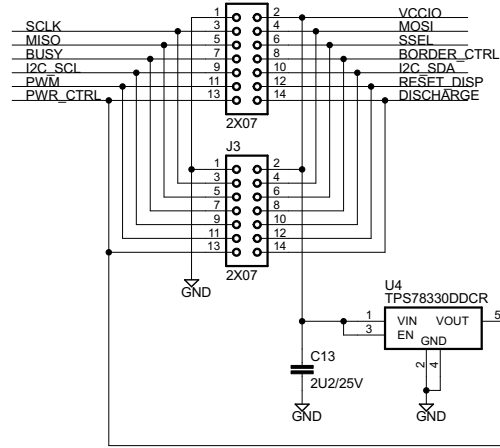
Document Number:

Date: 2014-04-07 21:44:14

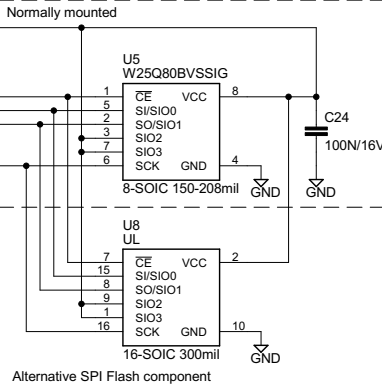
Sheet: 1/2

# Serial Expansion Connector

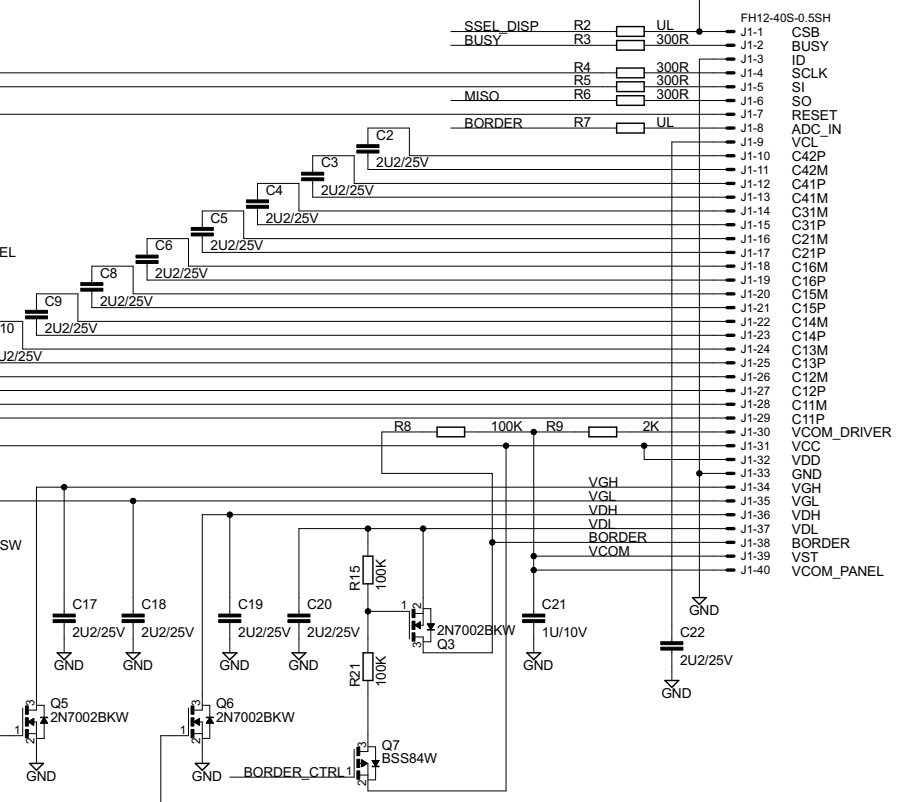
1: GND	2: VCC (3.3-5V, max 250mA)
3: SPI-SCK	4: SPI-MOSI
5: SPI-MISO	6: SPI-SSEL
7: UART-RX/GPIO	8: UART-TX/GPIO
9: I2C-SCL	10: I2C-SDA
11: GPIO	12: GPIO
13: AIN0/GPIO	14: AIN3/AOUT/GPIO



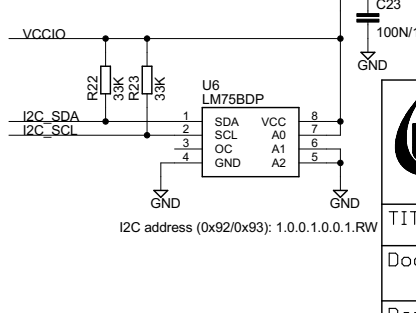
## 8bit SPI-NOR Flash



## PDI Panel: EM027AS012



## LM75 I2C Temperature Sensor



(C) Embedded Artists AB

TITLE: E-paper Display Adapter Board rev C

Document Number: