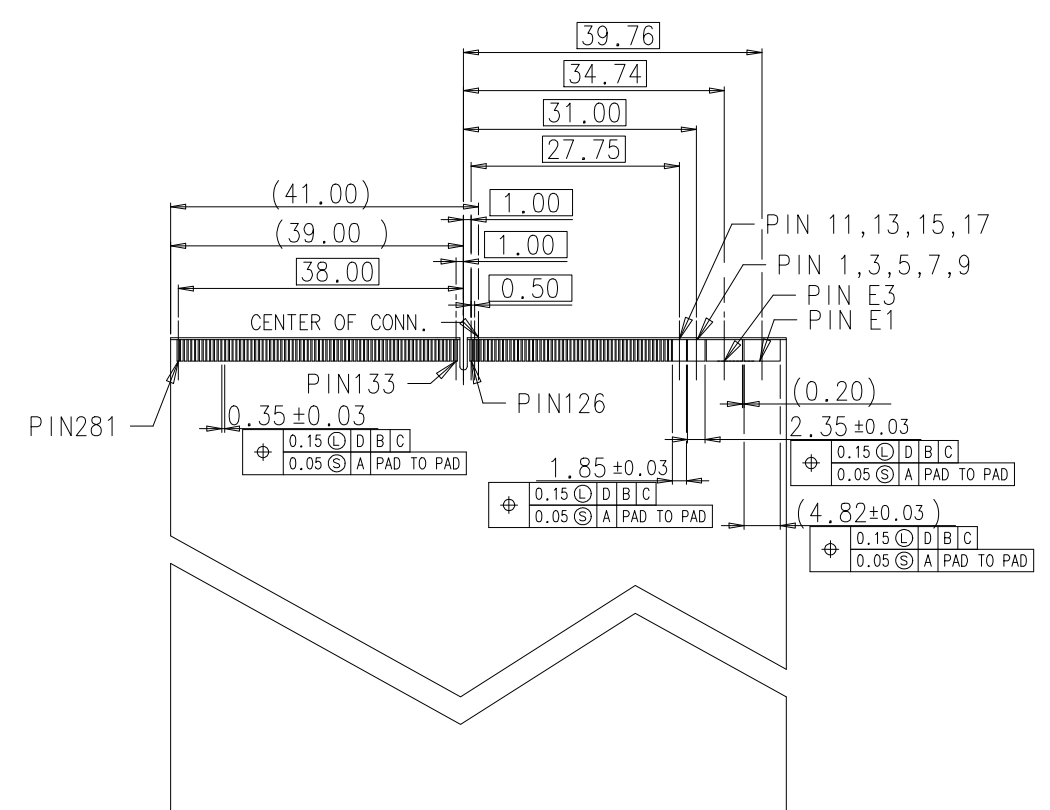
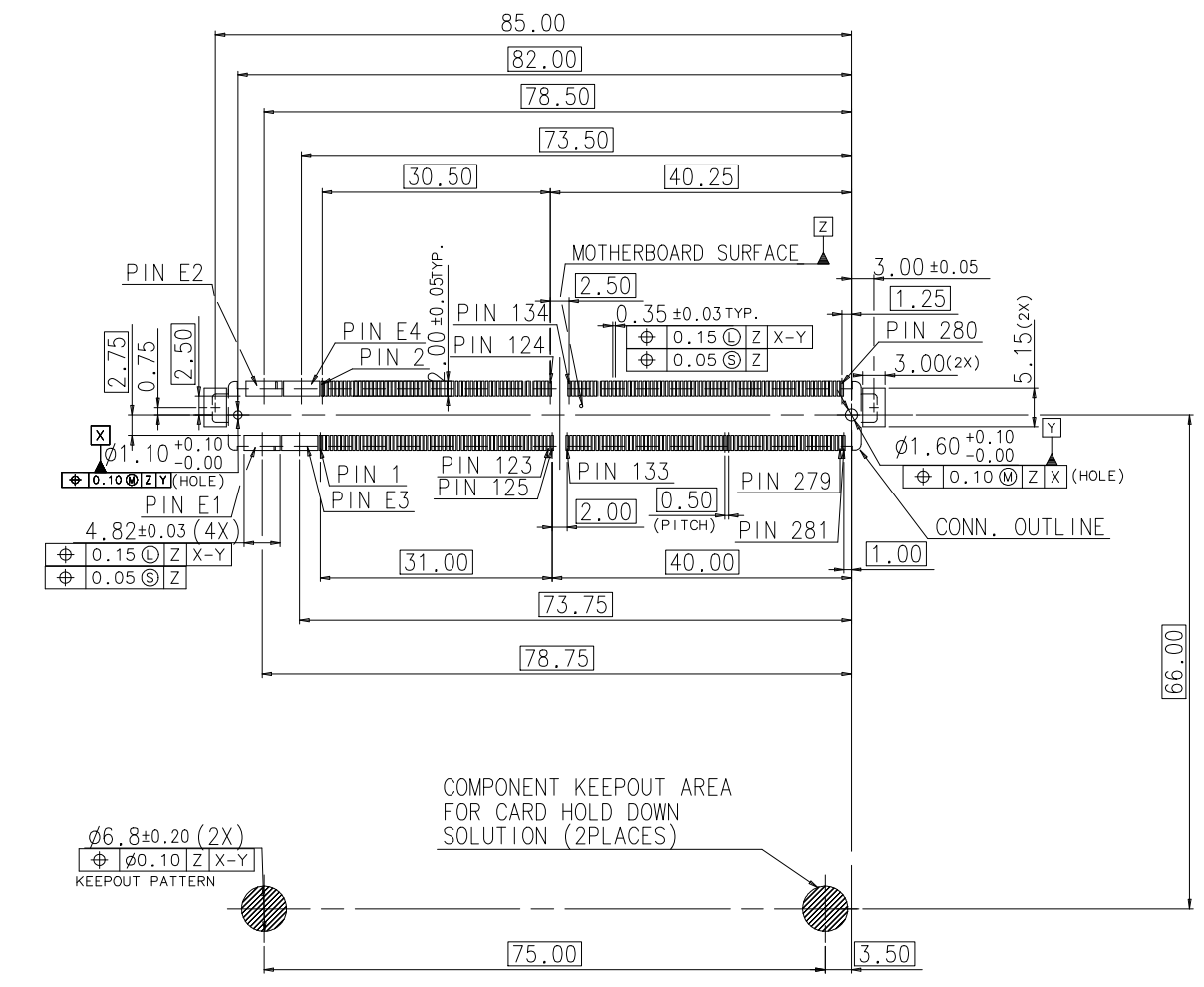
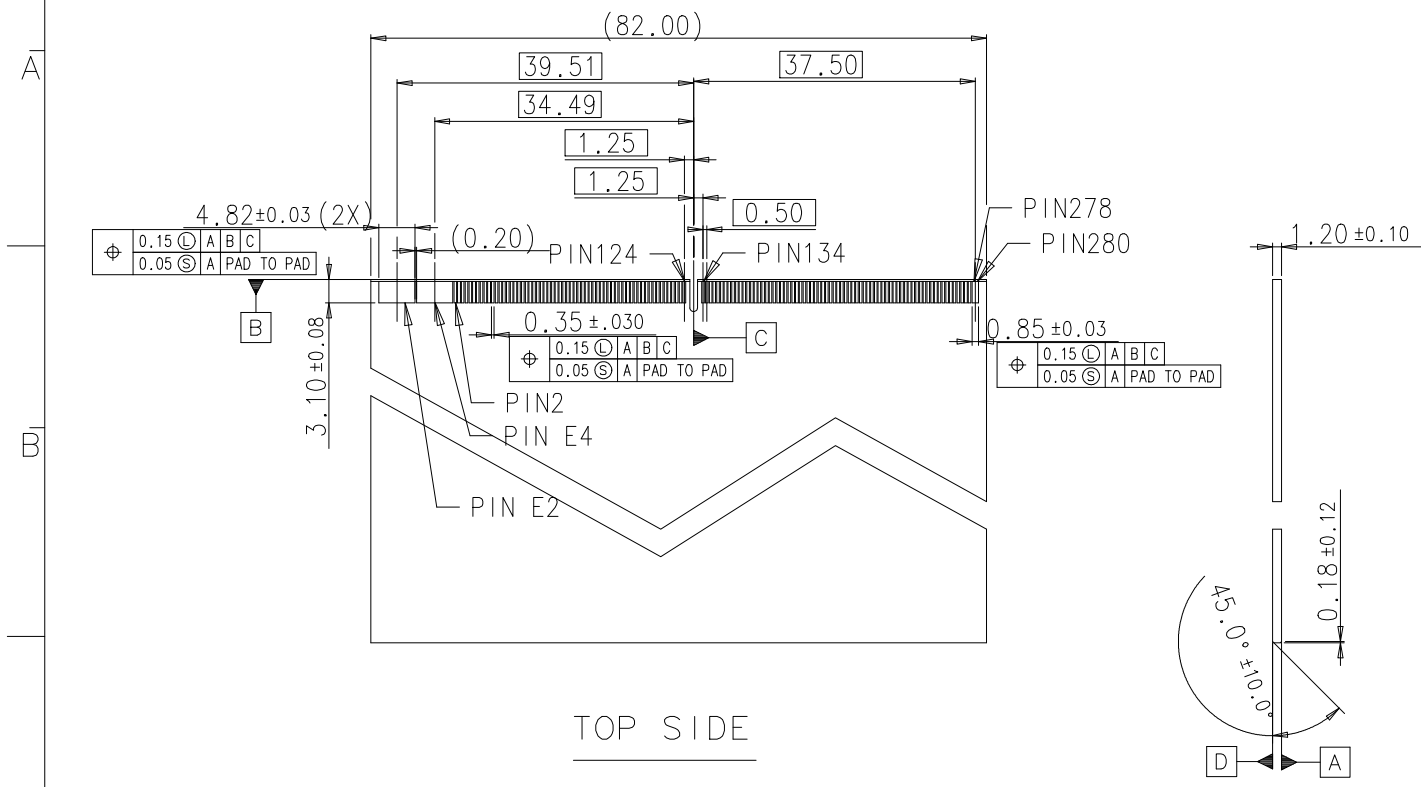


IDEAS GENERATED DRAWING, DON'T CHANGE BY HAND.

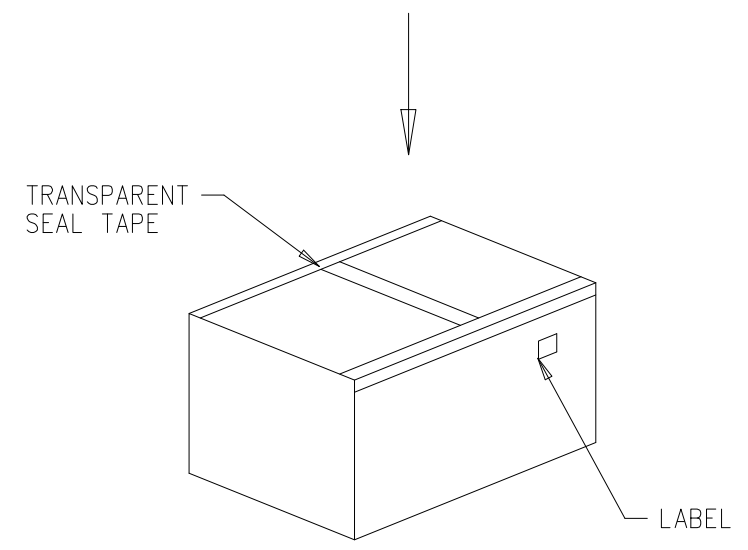
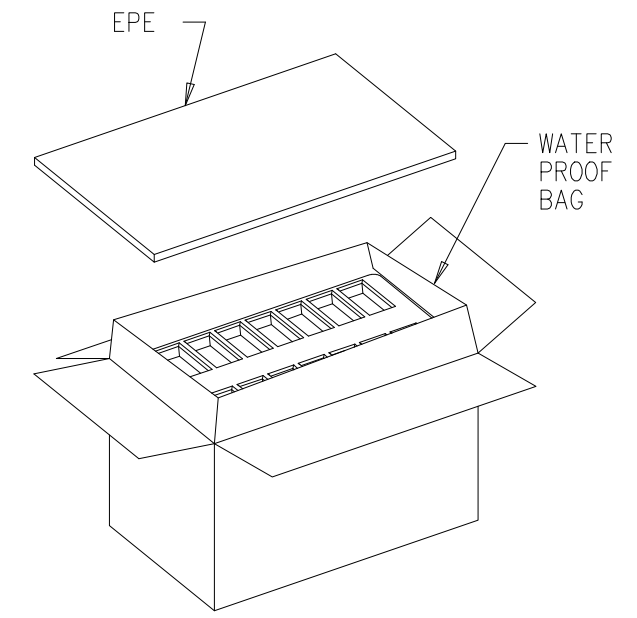
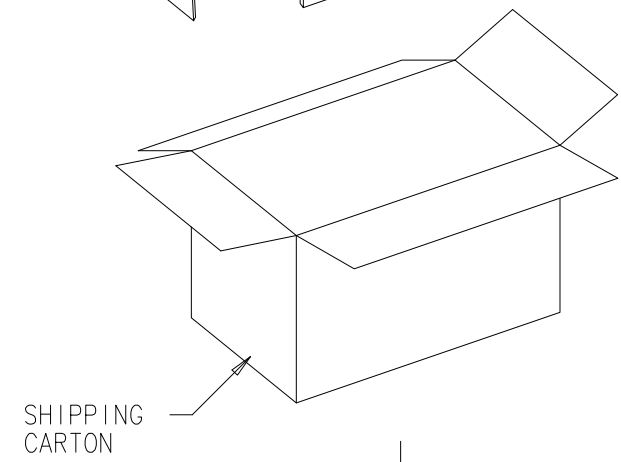
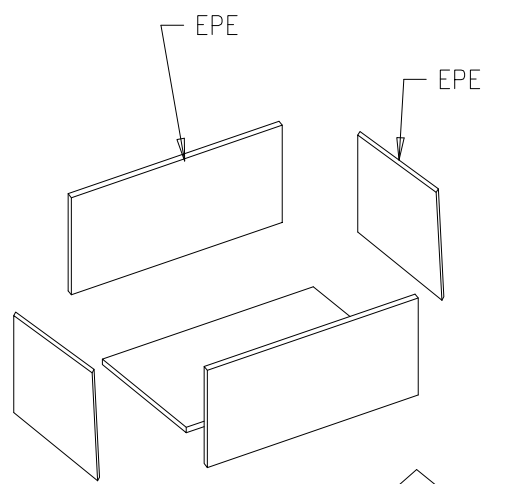
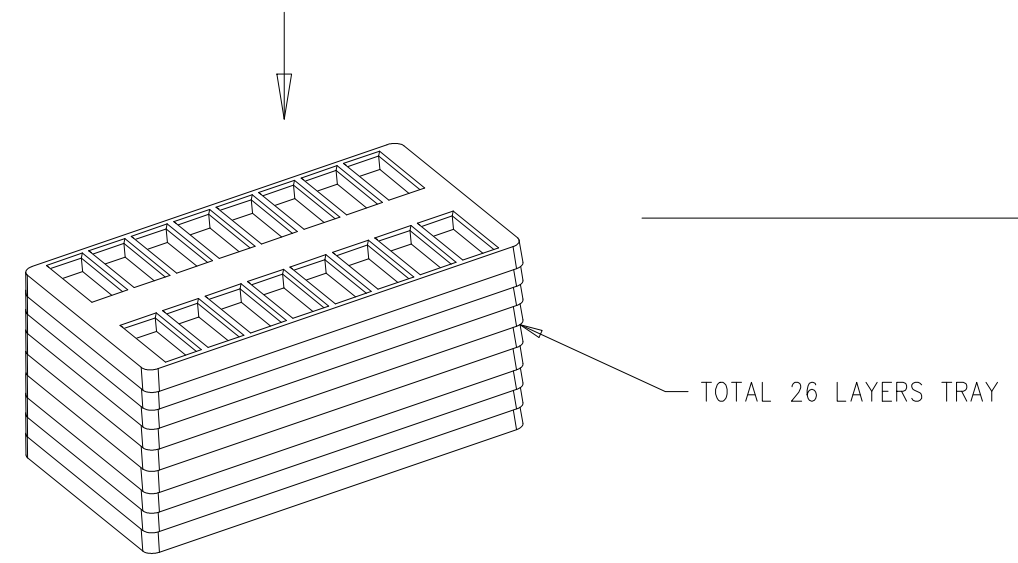
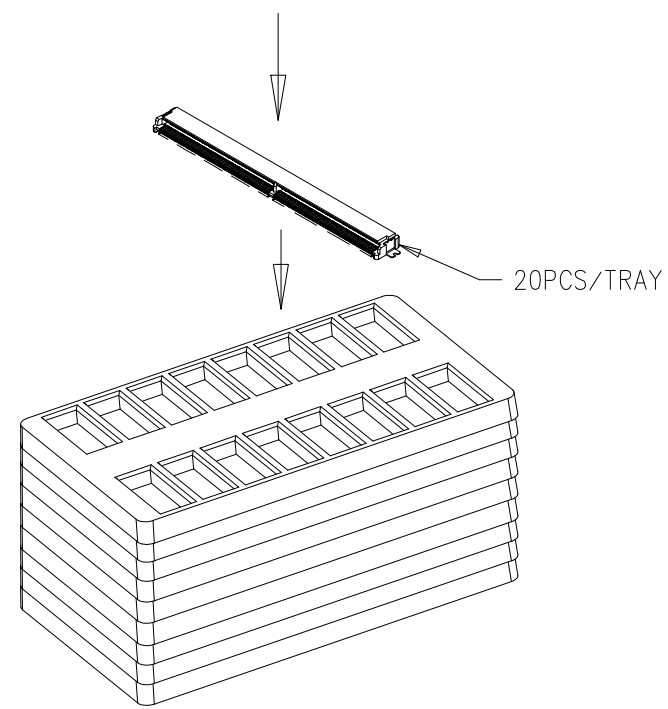
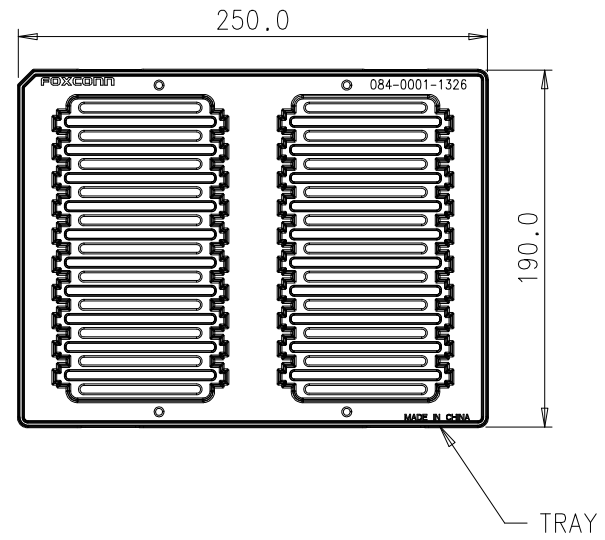
REV.	ECN. NO.	APPD.



X. ±	X°. ±	UNITS mm	NAME (INTENDED USE)	FOXCONN HON HAI PRECISION IND. CO., LTD. TAIPEI, TAIWAN, R.O.C.
.X ± 0.10	.X° ±	MAT'L	MXM 3.0 CONNECTOR	
.XX ± 0.05	.XX°	FINISH	PART NO. (INTENDED USE)	TITLE:
.XXX ±	.XXX° ±		AS0B82*-S78*-*H	CUSTOMER DRAWING
THESE DRAWINGS AND SPECIFICATIONS ARE THE PROPERTY OF HON HAI PRECISION IND. CO., LTD. AND SHALL NOT BE REPRODUCED COPIED OR USED IN ANY MANNER WITHOUT THE PRIOR WRITTEN CONSENT OF HON HAI PRECISION IND. CO., LTD.			APPD: Y.H Mao	DWG NO.:
			CHKD: Alex Wong	317-0000-1969
			DR: FL LIU 3/06'12	SCALE SHEET REV. N/A 2/4 C

IDEAS GENERATED DRAWING, DON'T CHANGE BY HAND.

REV.	ECN. NO.	APPD.



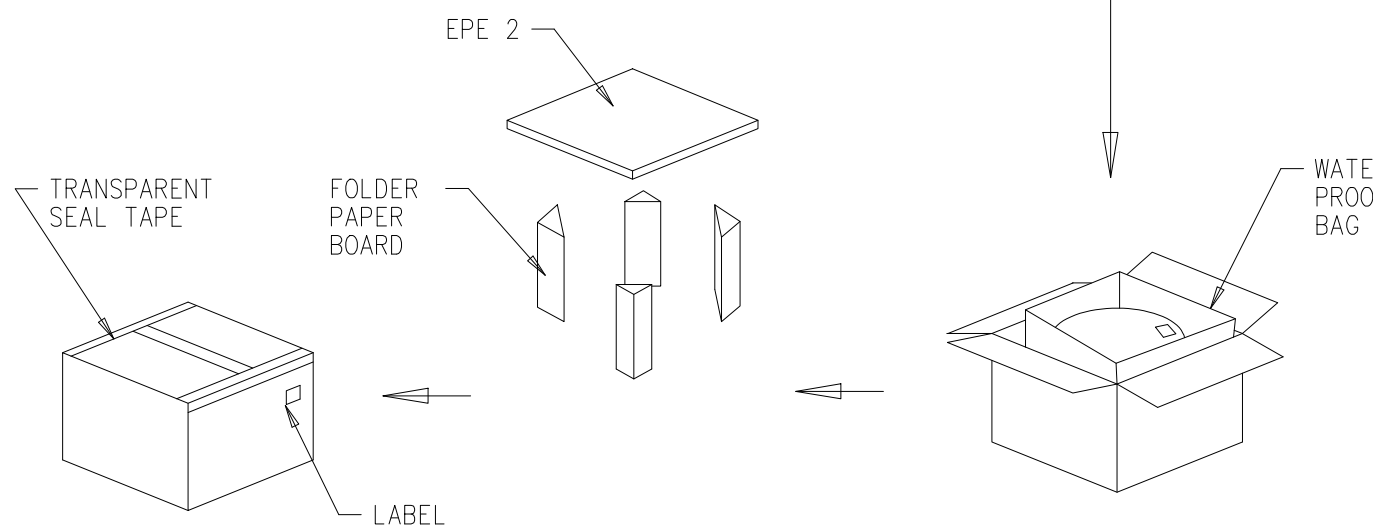
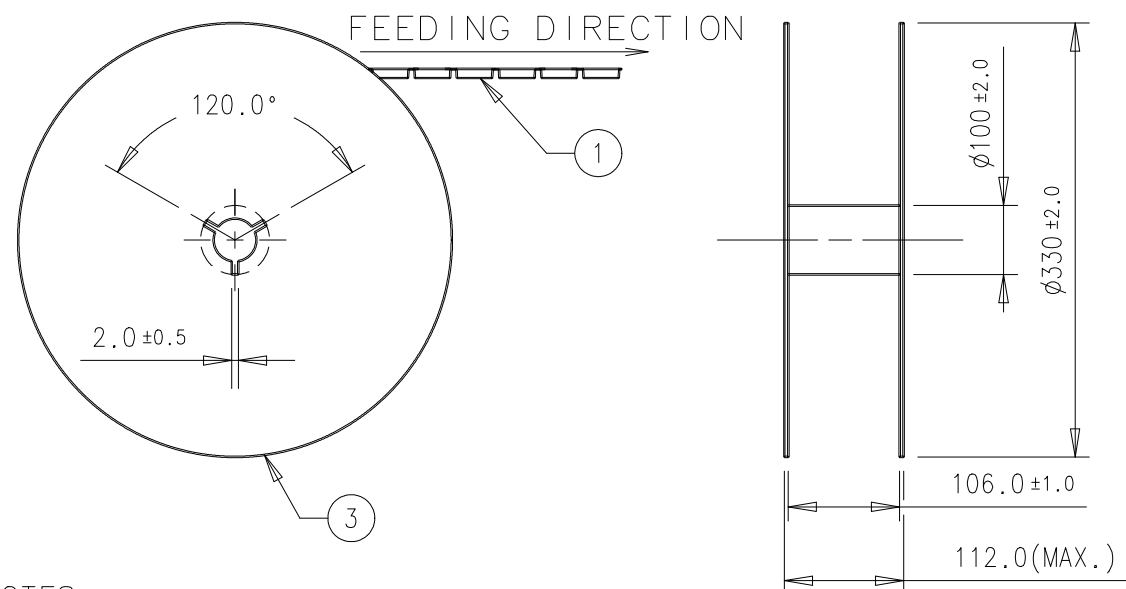
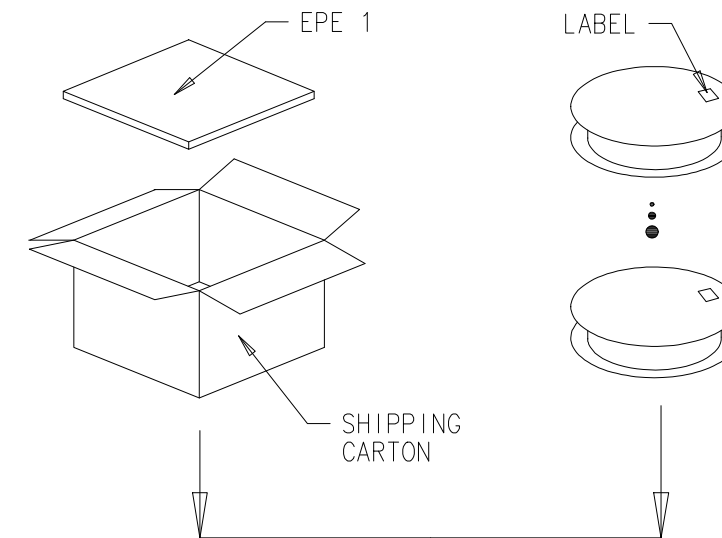
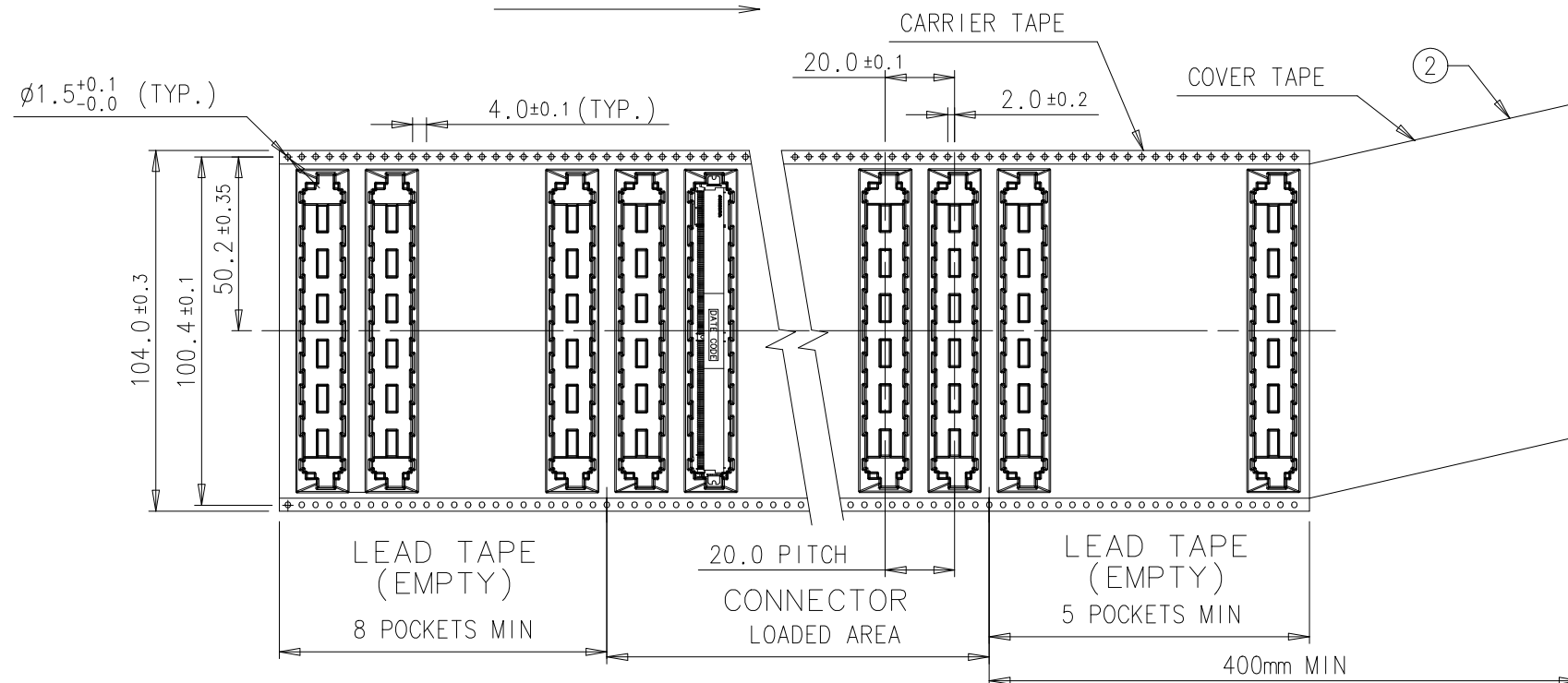
520 PCS	20 PCS	ASOB82*-S78*-1H
QTY/BOX	QTY/TRAY	CONNECTOR P/N

X. ±	X°. ±	UNITS mm	NAME (INTENDED USE) MXM 3.0 CONNECTOR	FOXCONN HON HAI PRECISION IND. CO., LTD. TAIPEI, TAIWAN, R.O.C.
.X ± 1.0	.X° ±			
.XX ± 0.50	.XX°	FINISH	PART NO. (INTENDED USE) ASOB82*-S78*-*H	TITLE: CUSTOMER DRAWING
.XXX ±	.XXX° ±		Q'TY	APPD: Y.H Mao
THESE DRAWINGS AND SPECIFICATIONS ARE THE PROPERTY OF HON HAI PRECISION IND. CO., LTD. AND SHALL NOT BE REPRODUCED COPIED OR USED IN ANY MANNER WITHOUT THE PRIOR WRITTEN CONSENT OF HON HAI PRECISION IND. CO., LTD.			CHKD: Alex Wong	SCALE SHEET REV. N/A 3/4 C
			DR: FL LIU 3/06'12	

IDEAS GENERATED DRAWING, DO NOT CHANGE BY HAND

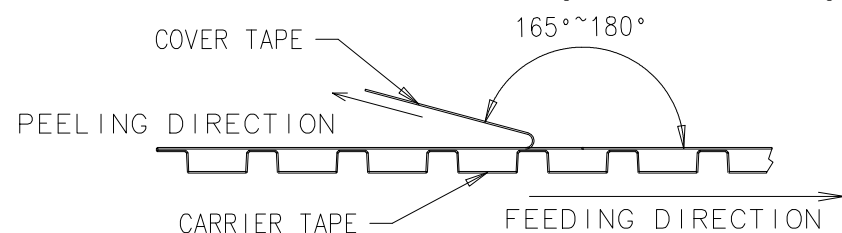
REV.	ECN.	NO.	APPD.

FEEDING DIRECTION



NOTES:

- 10 POCKETS HOLE PITCH CUMULATIVE TOLERANCE ± 0.20 mm.
- COVER TAPE PEELING STRENGTH : 0.01Kgf MIN., 0.15 Kgf MAX. AT 300mm/min.



- PACKING CAPACITY : 350 PCS/REEL, 3 REELS/BOX, TOTAL 1050 PCS/BOX.

③	REEL	POLYSTYRENE
②	COVER TAPE	POLYESTER
①	CARRIER TAPE	POLYSTYRENE
ITEM	DESCRIPTION	MATERIAL

X. ± 1.0	X° ±	UNITS	mm	NAME (INTENDED USE)	FOXCONN HON HAI PRECISION IND. CO., LTD. TAIPEI, TAIWAN, R.O.C.		
.X ± 0.50	.X° ±	MAT'L		MXXM3.0 CONNECTOR			
.XX ± 0.20	.XX° ±			PART NO. (INTENDED USE)	TITLE:		
.XXX ±	.XXX° ±	FINISH		ASOB82*-S78*-*H	CUSTOMER DRAWING		
THESE DRAWINGS AND SPECIFICATIONS ARE THE PROPERTY OF HON HAI PRECISION IND. CO., LTD. AND SHALL NOT BE REPRODUCED, COPIED OR USED IN ANY MANNER WITHOUT THE PRIOR WRITTEN CONSENT OF HON HAI PRECISION IND. CO., LTD.				APPD:	Y.H Mao	DWG NO.:	
				CHKD:	Alex Wong	317-0000-1969	
				DR:	FL LIU 3/06'12		
					SCALE	SHEET	REV.
					N/A	4/4	C

CONNECTOR P/N ASOB82*-S78*-7H