


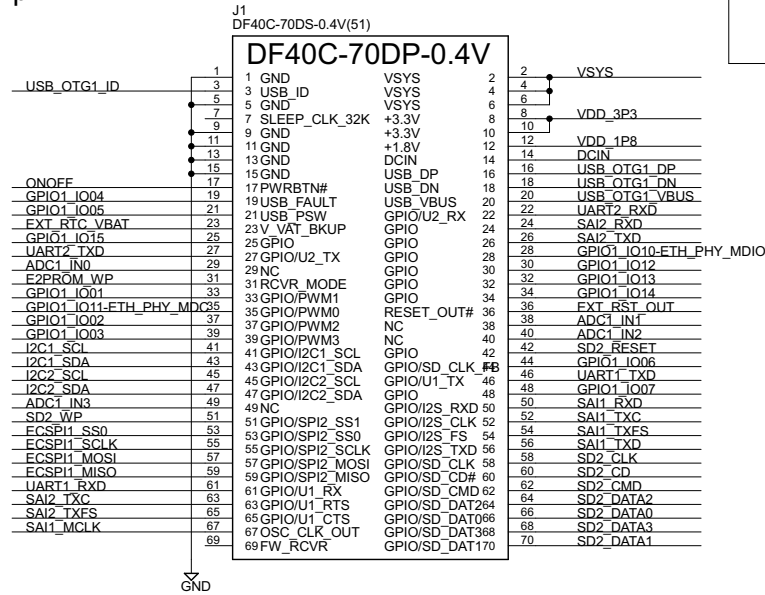
- Page 2: uCOM Connectors
- Page 3: MXM3 edge connector
- Page 4: JTAG debug interface and Battery connector
- Page 5: Optional QSPI
- Page 6: Optional LVDS transmitter
- Page 7: Ethernet Interface
- Page 8: Boot Mode Control

UL = UnLoaded = normally not mounted component.

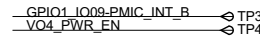
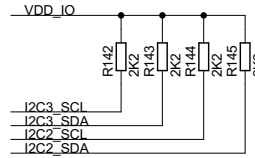
Default jumper settings are indicated in the schematic.
 However, always check jumper positions on actual boards
 since there is no guarantee that all jumpers are in default place.

Rev A Added external PCIe clock connection and I2C pullups.	
Rev PA2 Added PCIe terminations	
Rev PA1 First release	
	
(C) Embedded Artists AB	
TITLE: iMX7D uCOM Adapter Board rev A	
Document Number:	
Date: 2017-05-03 14:05:58	Sheet: 1/8

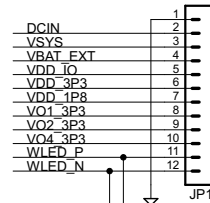
Max 0.3A per pin



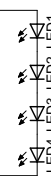
uCOM Connectors



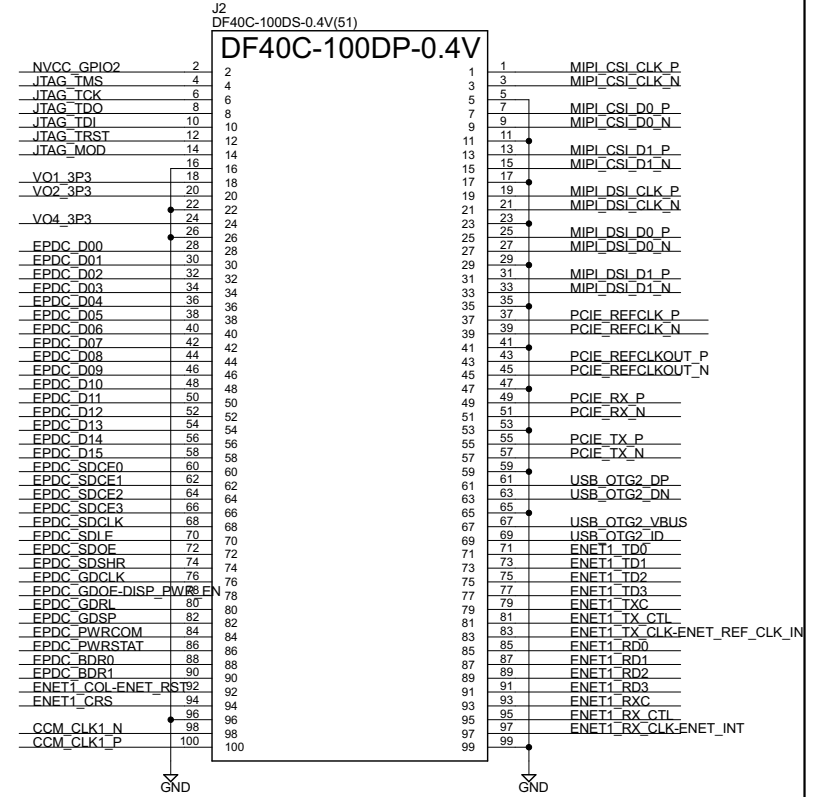
Supply Voltages



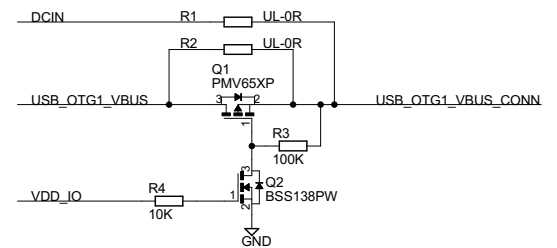
White LEDs



uCOM Connectors



USB OTG VBUS



(C) Embedded Artists AB

TITLE: iMX7D uCOM Adapter Board rev A

Document Number:

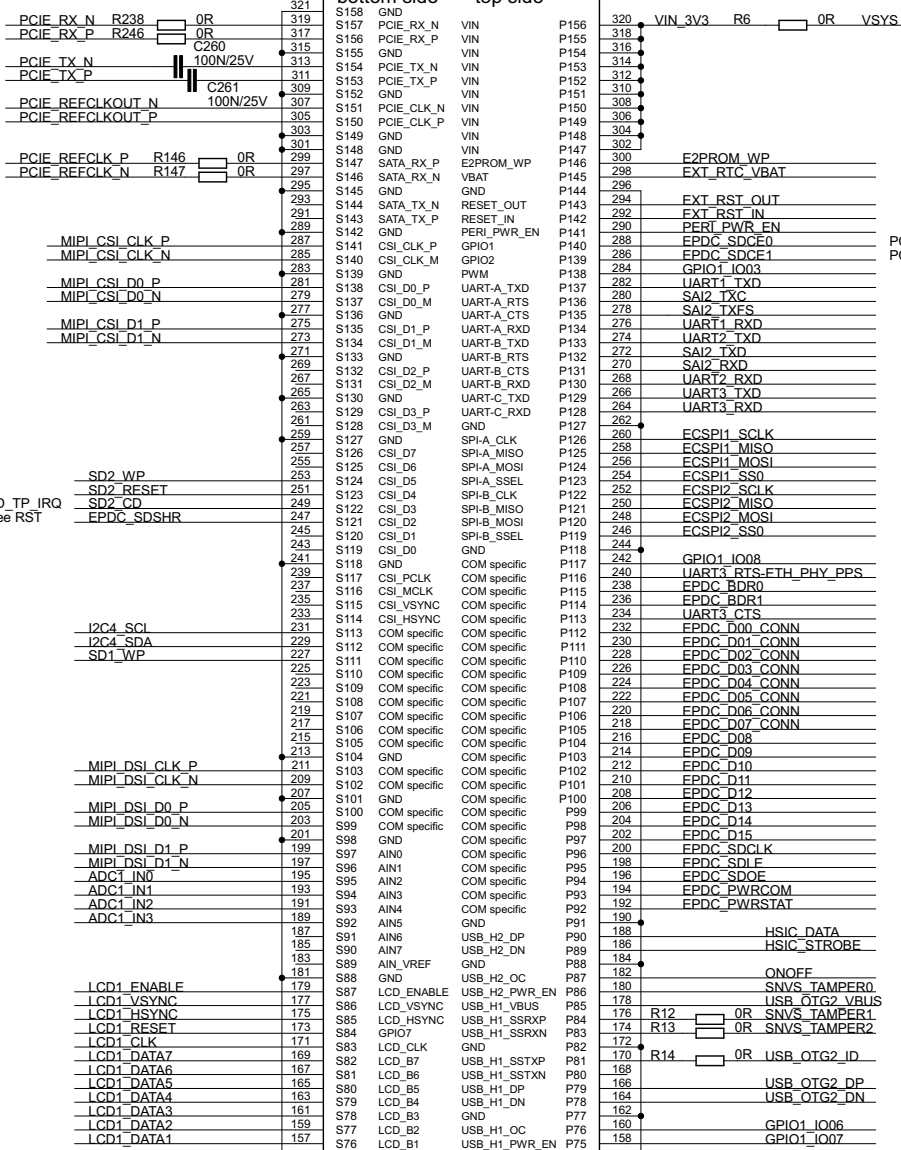
Date: 2017-05-03 14:05:58

Sheet: 2/8

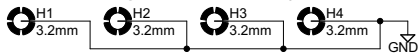
MXM3 edge connector

J4B
MXM3 edge connector

MXM3 connector bottom side top side

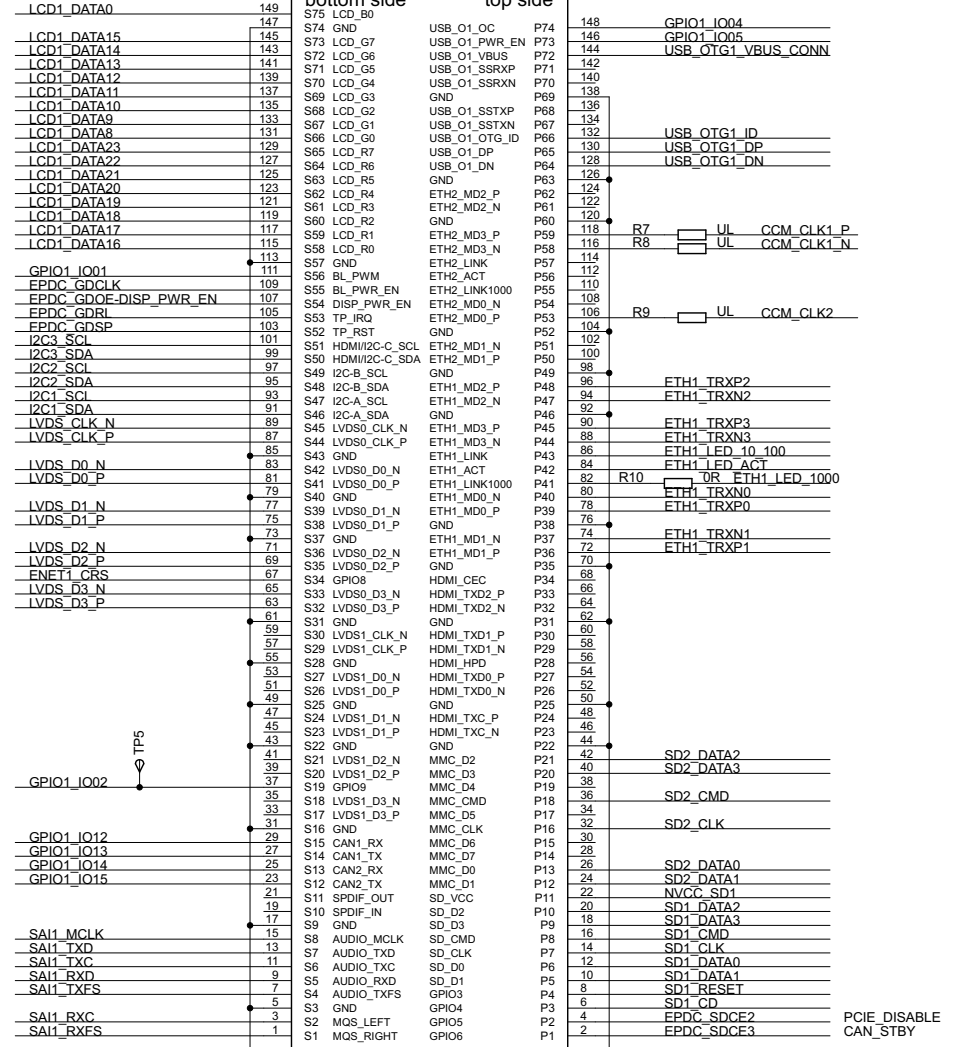


4x mounting holes, M3 (3.2mm holes)

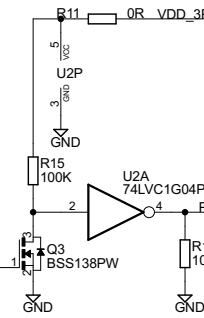


J4A
MXM3 edge connector

MXM3 connector bottom side top side



SD1_VSELECT
ETH-PHY PPS
XBee ON



Embedded Artists

(C) Embedded Artists AB

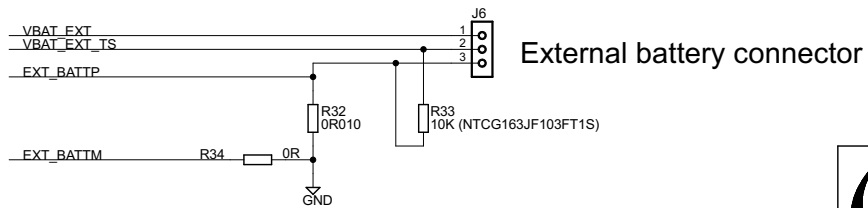
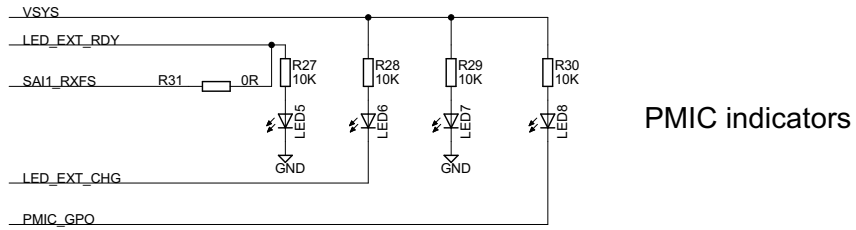
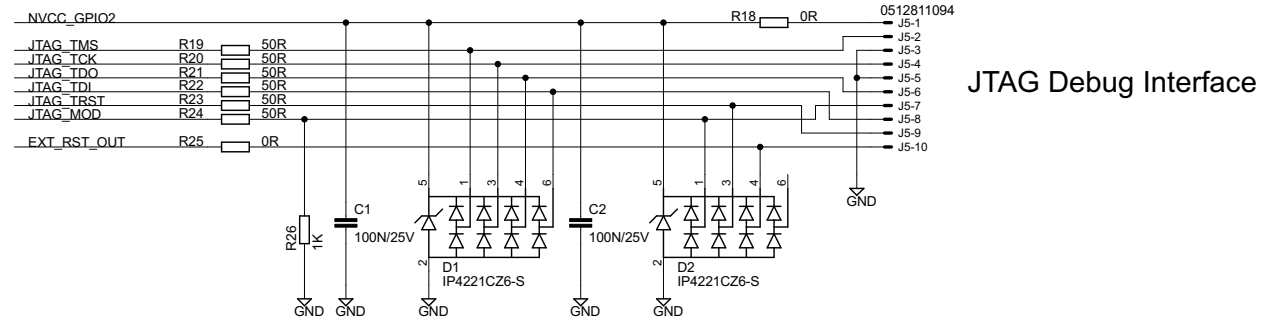
TITLE: iMX7D uCOM Adapter Board rev A


Document Number:

Date: 2017-05-03 14:05:58

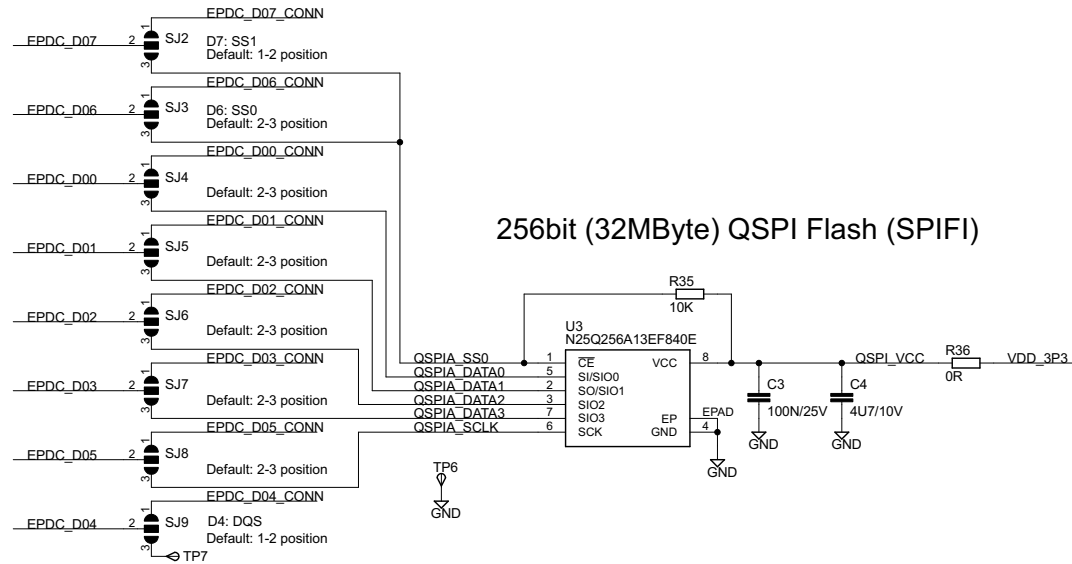
Sheet: 3/8

JTAG debug interface and Battery connector



	
(C) Embedded Artists AB	
TITLE: iMX7D uCOM Adapter Board rev A	
Document Number:	
Date: 2017-05-03 14:05:58	Sheet: 4/8

QSPI



(C) Embedded Artists AB

TITLE: iMX7D uCOM Adapter Board rev A

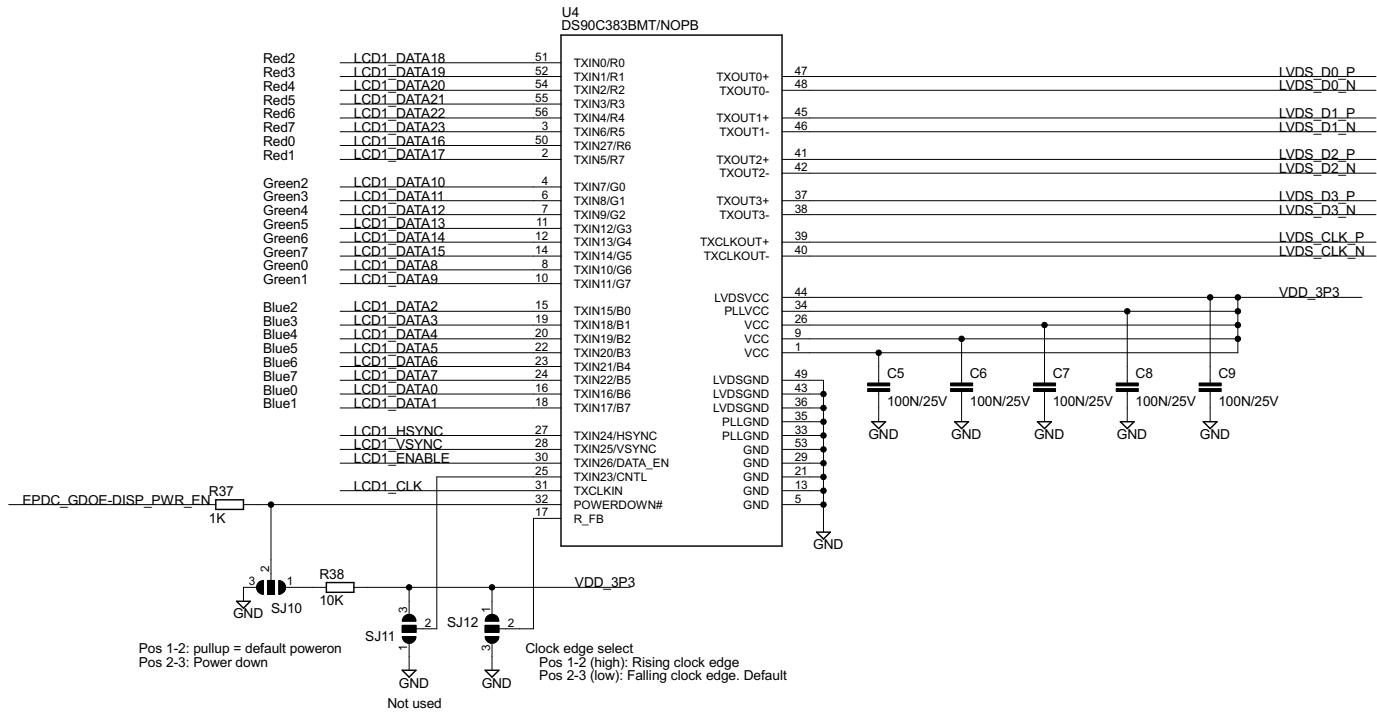
Document Number:

Date: 2017-05-03 14:05:58

Sheet: 5/8

Optional LVDS transmitter

SPWG/PSWG/VESA 18/24 bpp Data Mapping



(C) Embedded Artists AB

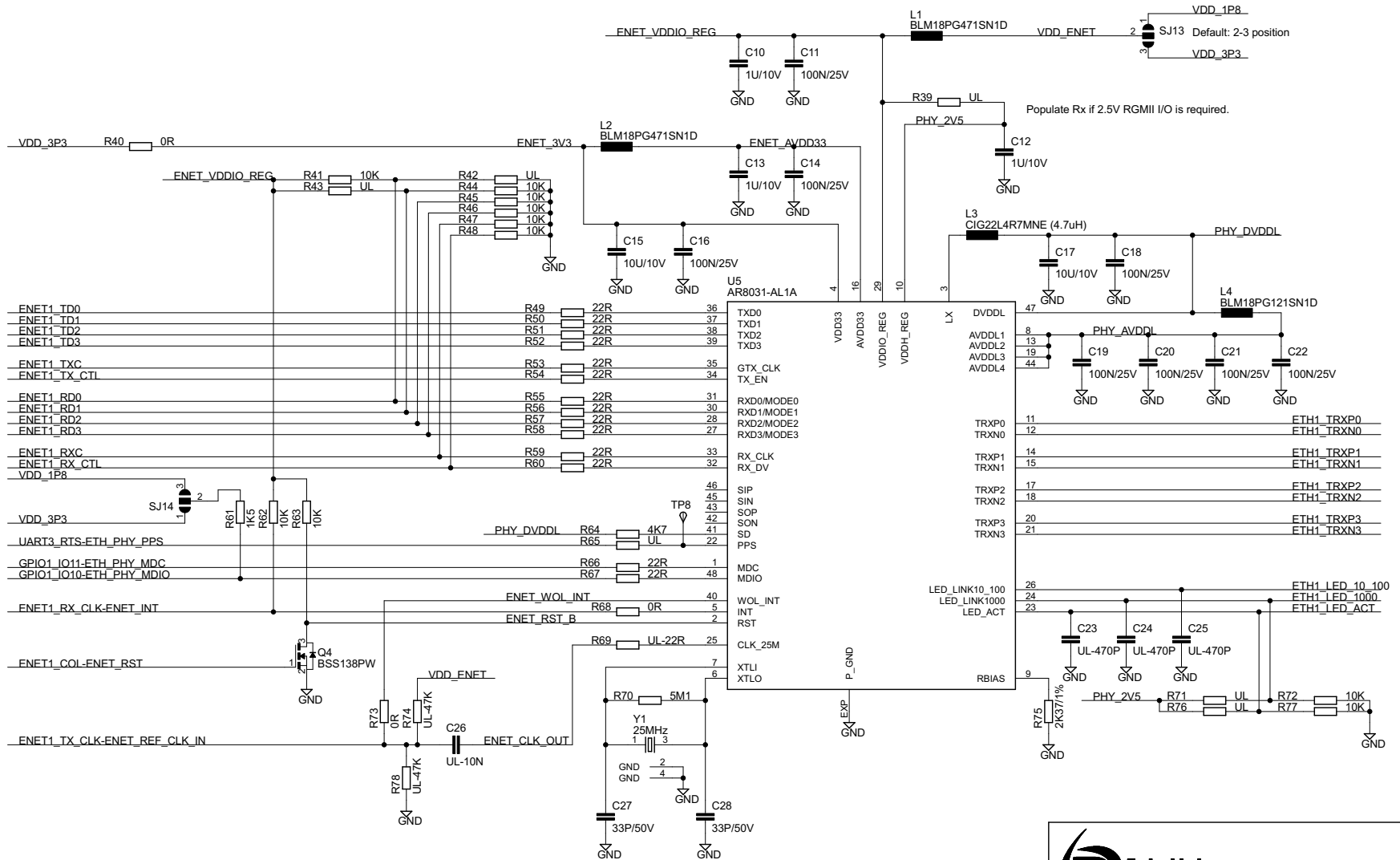

TITLE: iMX7D uCOM Adapter Board rev A

Document Number:

Date: 2017-05-03 14:05:58

Sheet: 6/8

Ethernet Interface

(C) Embedded Artists AB

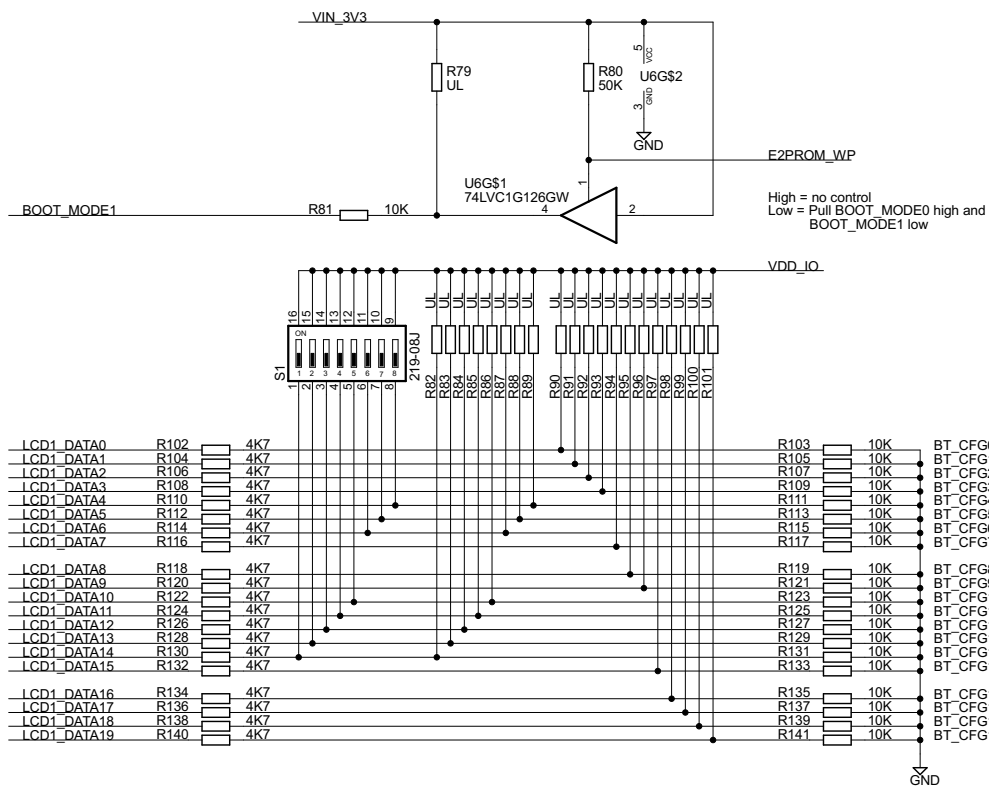
TITLE: iMX7D uCOM Adapter Board rev A

Document Number:

Date: 2017-05-03 14:05:58

Sheet: 7/8

Boot Mode Control



Boot Mode

	BOOT_MODE1	BOOT_MODE0
Fuses	Low	Low
USB OTG	Low	High
Internal boot	High	Low
Test mode	High	High

Activated by pulling E2PROM_WP low
Default, resistors set to eMMC boot on SD3

	BT_CFG14	BT_CFG13	BT_CFG12	BT_CFG11	BT_CFG10	BT_CFG6	BT_CFG5	BT_CFG4
SD boot	0	0	1	Port Select: 00: eSDHC1 01: eSDHC2 10: eSDHC3	0	0	Bus width: 0: 1-bit 1: 4-bit	
MMC/eMMC boot	0	1	0					
QSPI boot	1	0	0	0	0	0	0	0



(C) Embedded Artists AB

TITLE: iMX7D uCOM Adapter Board rev A

Document Number:

Date: 2017-05-03 14:05:58

Sheet: 8/8