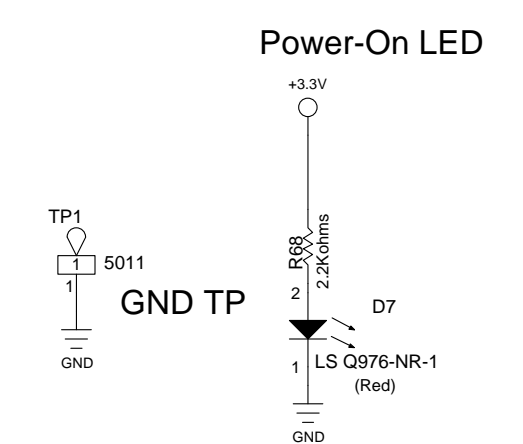
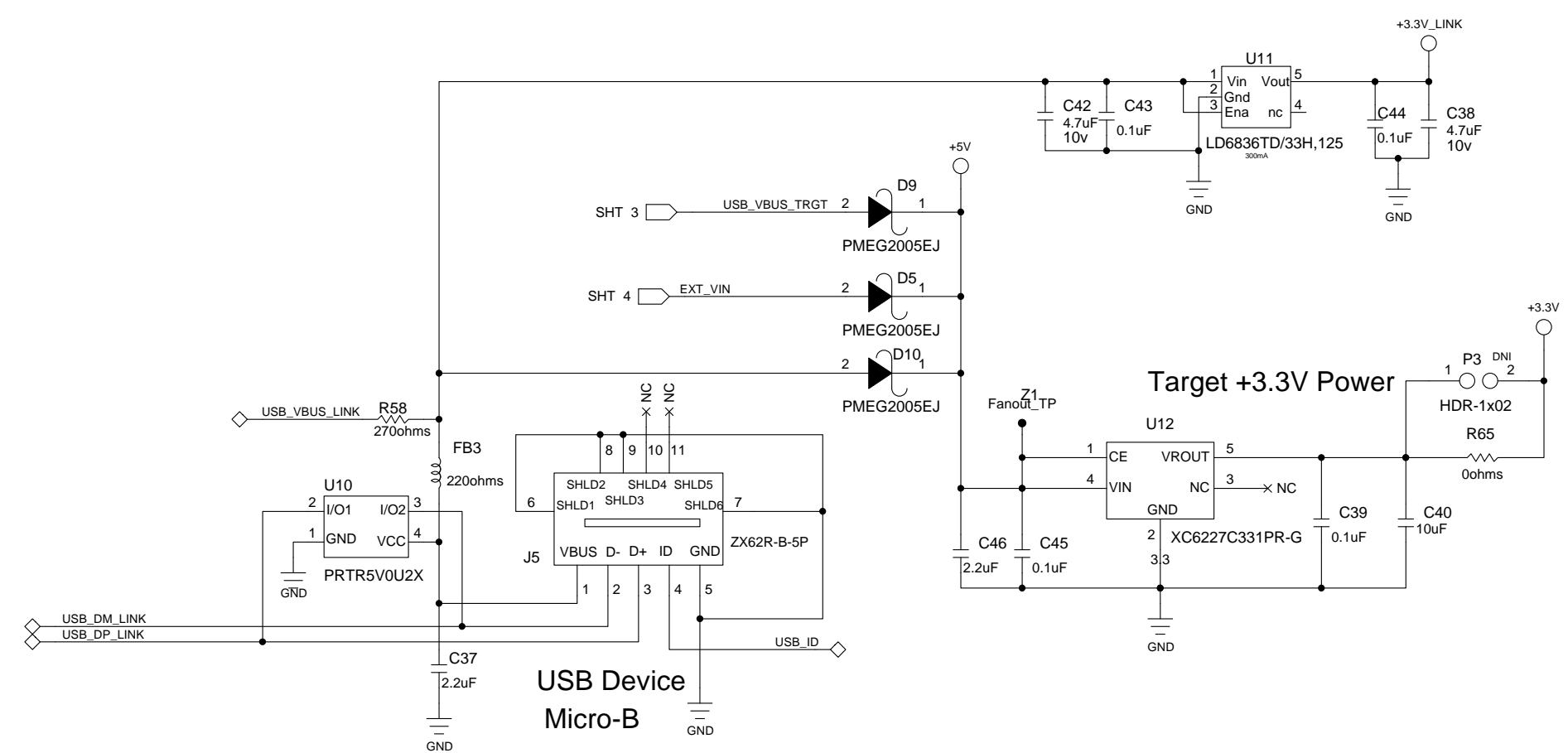
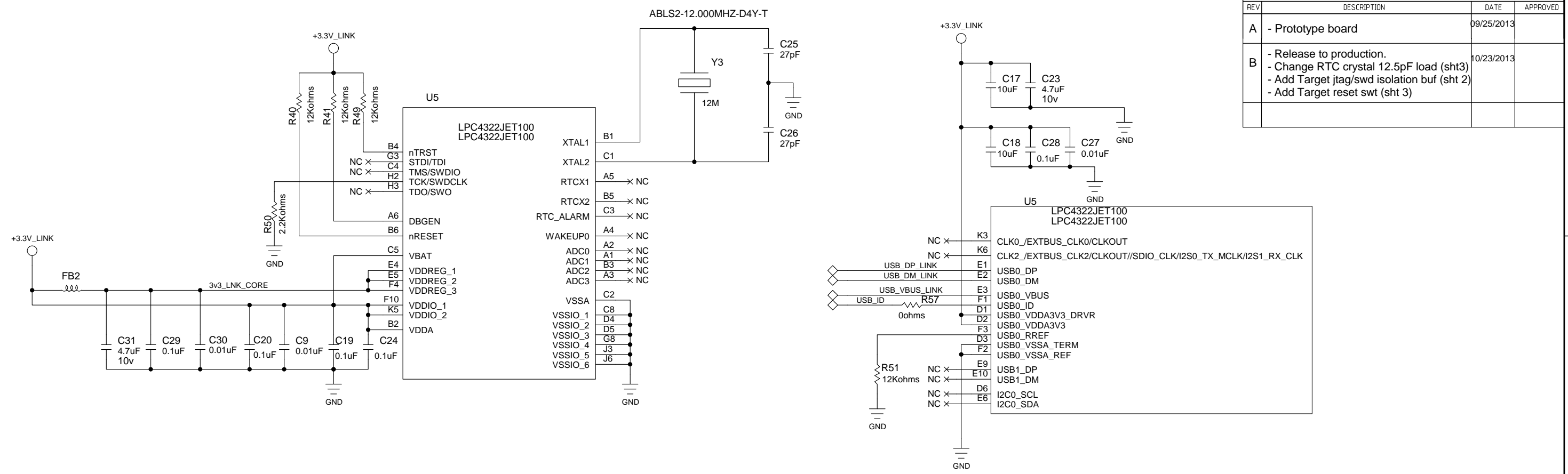
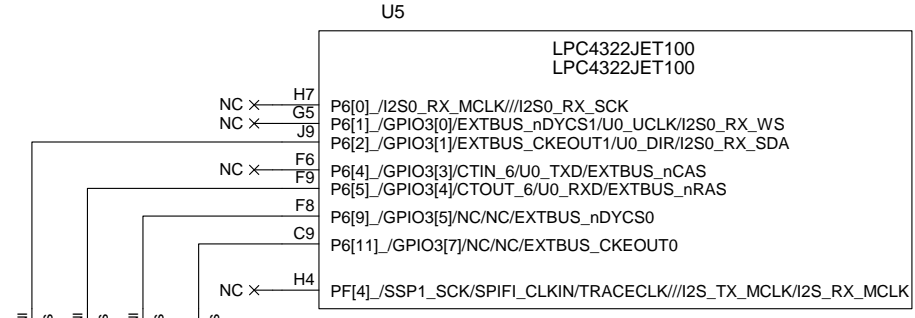
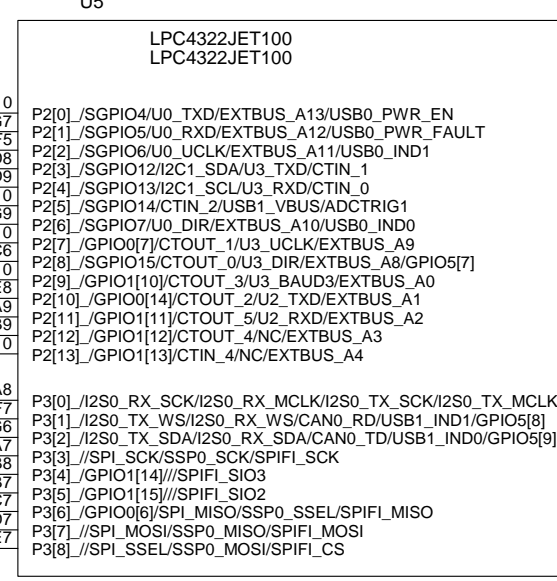
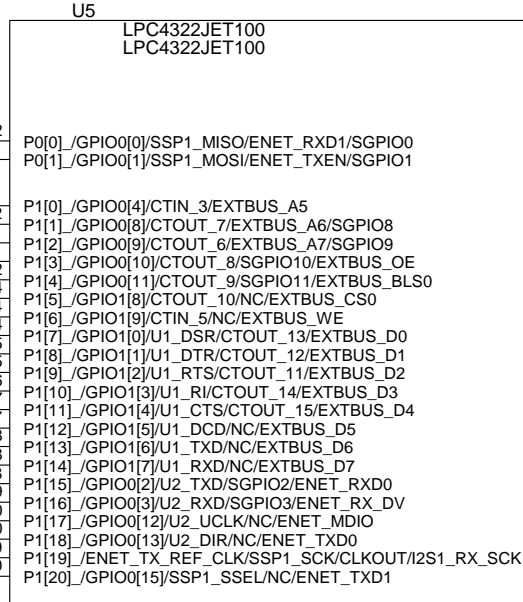


REVISIONS			
REV	DESCRIPTION	DATE	APPROVED
A	- Prototype board	09/25/2013	
B	- Release to production. - Change RTC crystal 12.5pF load (sht3) - Add Target jtag/swd isolation buf (sht 2) - Add Target reset swt (sht 3)	10/23/2013	

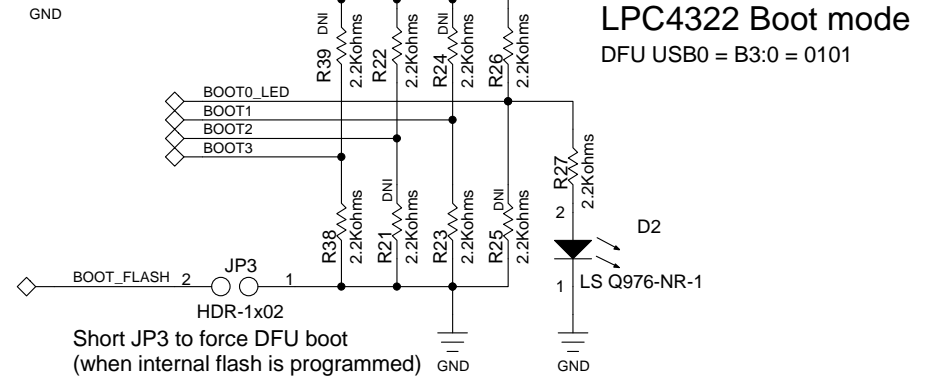


CONTRACT NO.		LINK2 LPC4322	
APPROVALS	DATE	NXP Semiconductors	
DRAWN d.consiglio	10/23/2013	411 E. Plumeria Dr San Jose, CA 95134 www.standardics.nxp.com/microcontrollers/	
CHECKED		SIZE	D
ISSUED	10/23/13	DWG. NO.	Xpresso-LPC11U68
		REV	B
		SHEET	1 OF 04

REVISIONS			
REV	DESCRIPTION	DATE	APPROVED

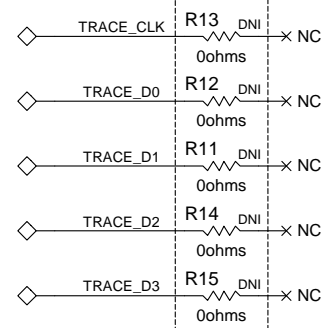


**Buffer Pwr Select (JP2)**  
On-board Target 1 - 2 (default)  
Off-board Target 2 - 3



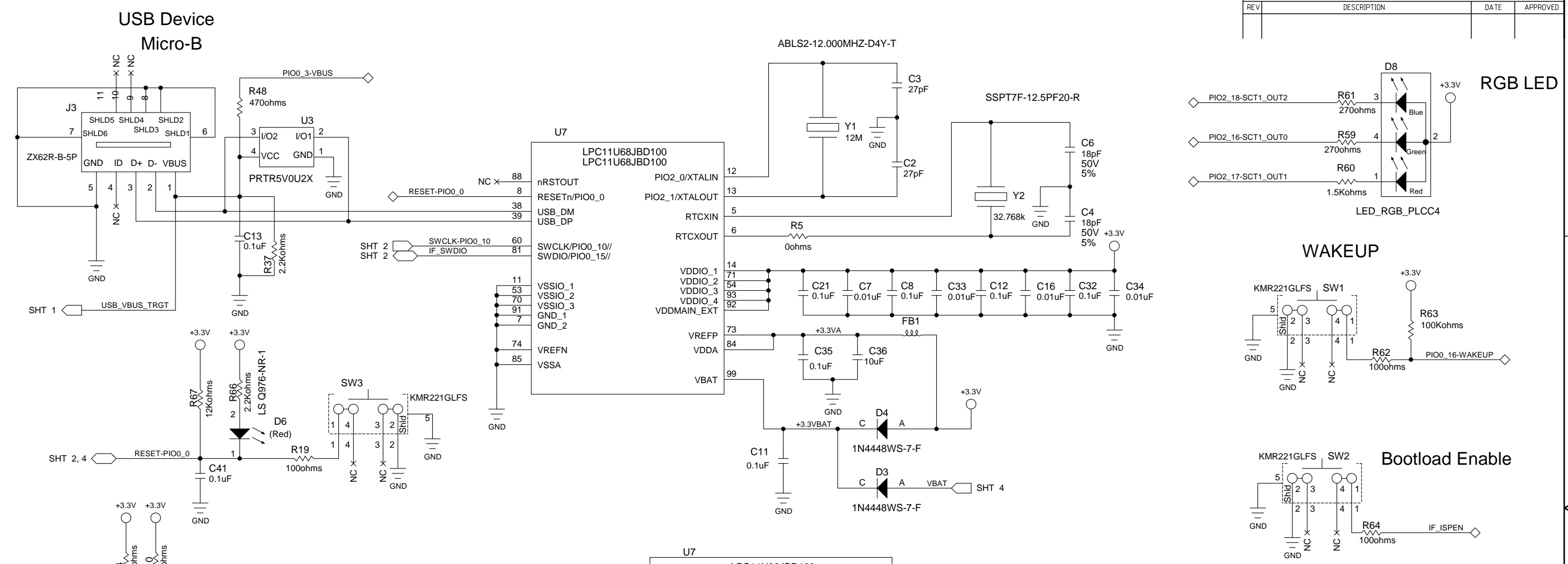
**Target (LPC15xx)**  
SWD Debug

**Target to debug location (JP1)**  
On-board Target - open (default)  
Off-board Target - short

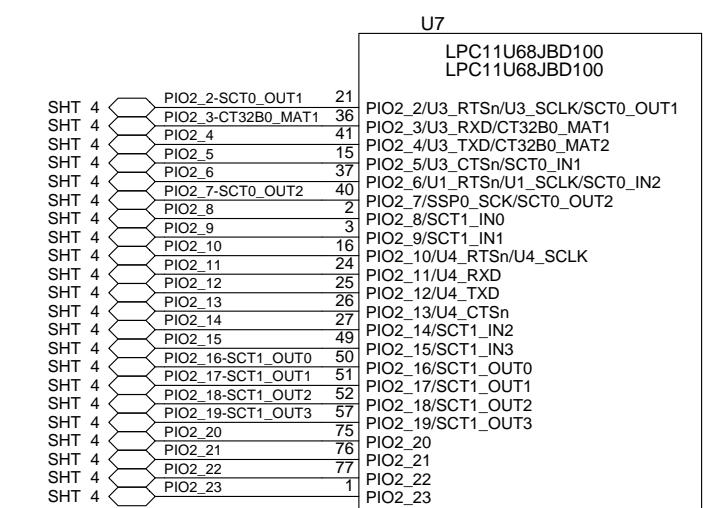
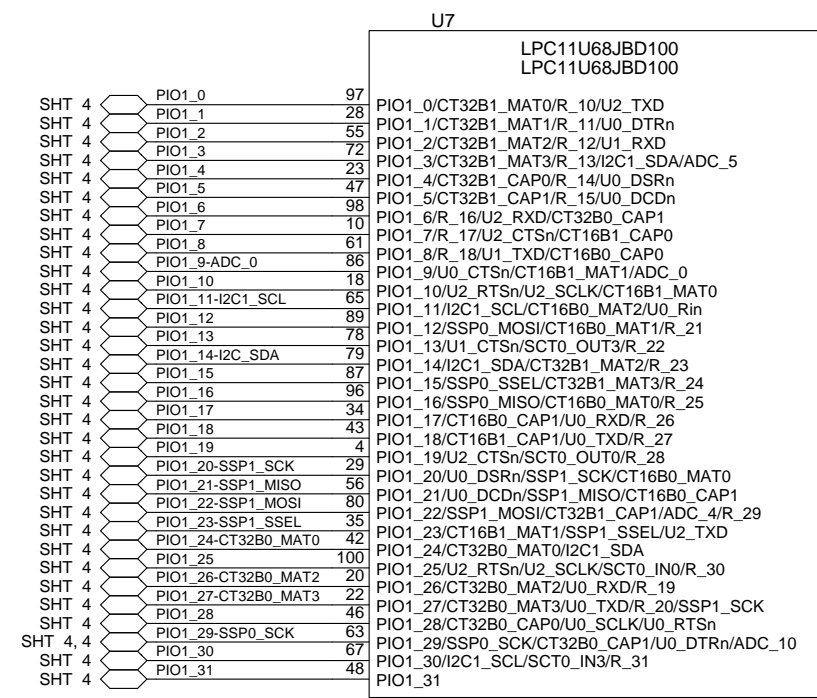
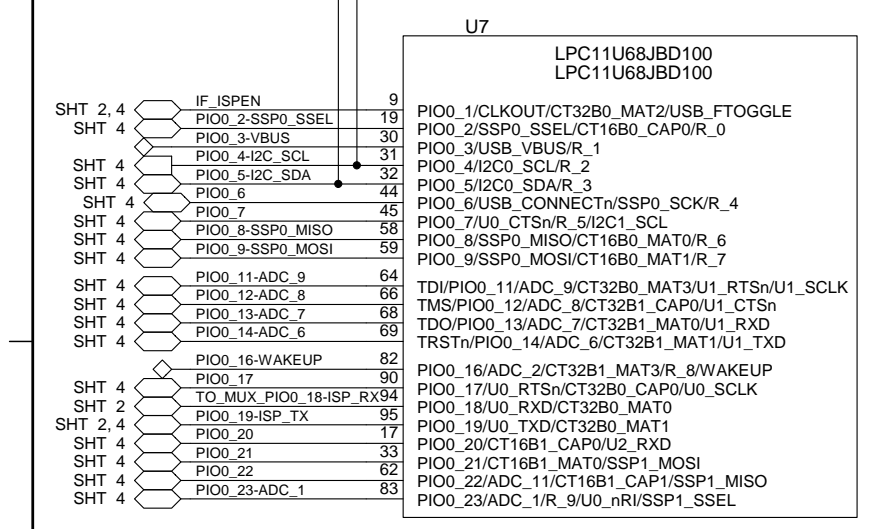


CONTRACT NO.		LINK LPC4320	
APPROVALS	DATE	NXP Semiconductors	
DRAWN d.consiglio	10/23/2013	411 E. Plumeria Dr San Jose, CA 95134 www.standardics.nxp.com/microcontrollers/	
CHECKED		SIZE	DWG. NO.
ISSUED	10/23/13	D	Xpresso-LPC11U68
SCALE		SHEET 2 OF 04	

REVISIONS			
REV	DESCRIPTION	DATE	APPROVED



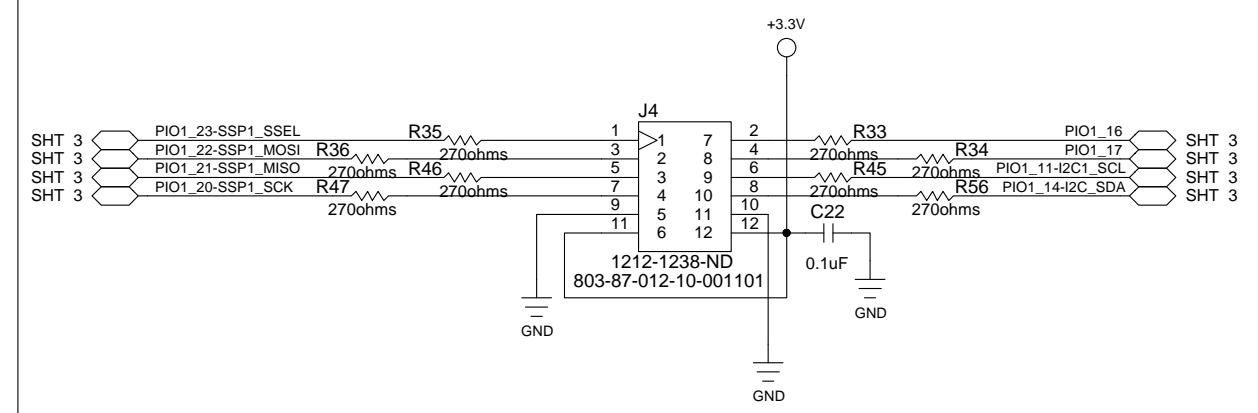
ISP Boot Modes		
Mode	PIO0_1	PIO0_3
No ISP (Flash)	high	X
USB	low	high
UART0	low	low



CONTRACT NO.		Target LPC1549	
APPROVALS	DATE	NXP Semiconductors	
DRAWN d.consiglio	10/23/2013	411 E. Plumeria Dr San Jose, CA 95134 www.standardics.nxp.com/microcontrollers/	
CHECKED		SIZE FSCM NO.	DWG. NO.
ISSUED	10/23/13	D	Xpresso-LPC11U68
		SCALE	REV B
			SHEET 3 OF 04

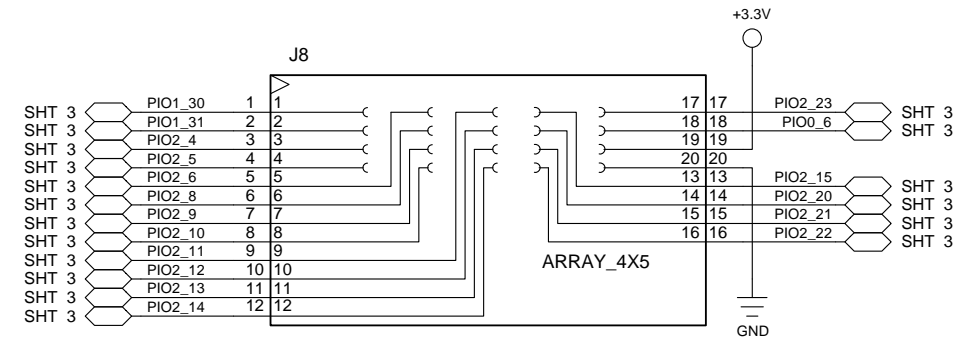
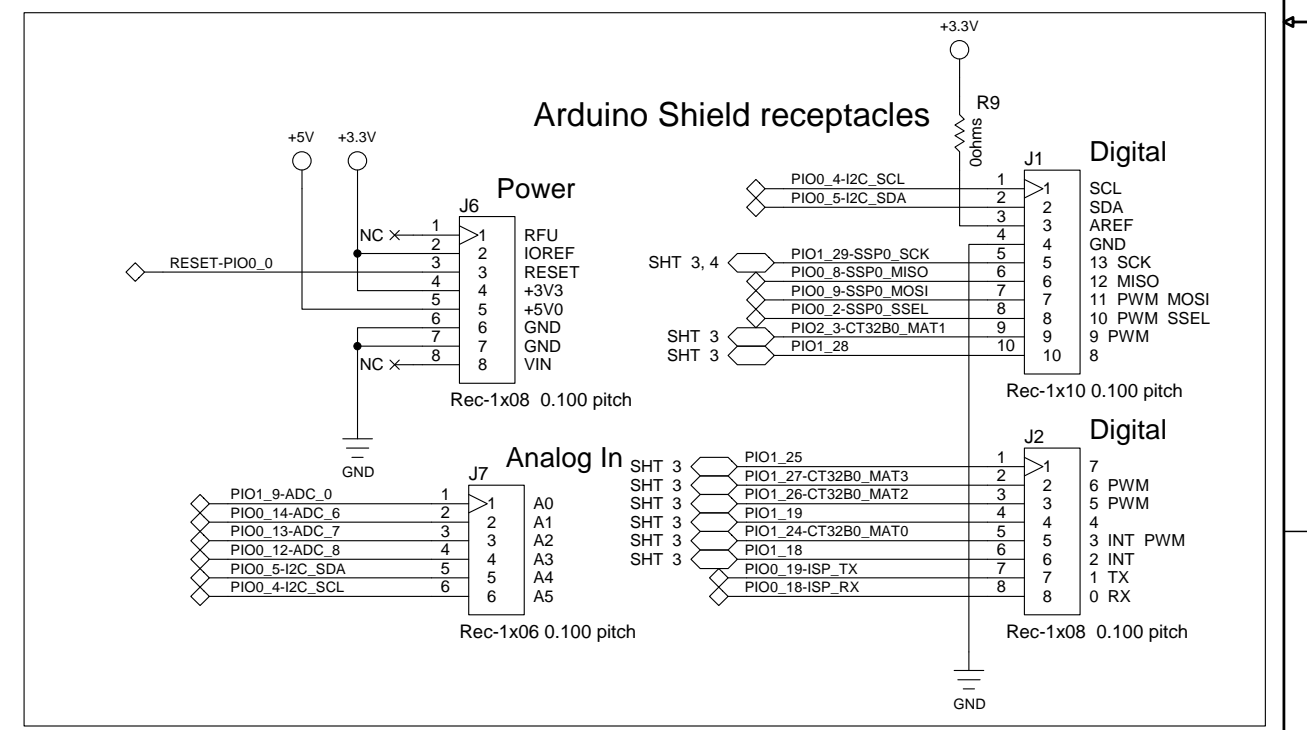
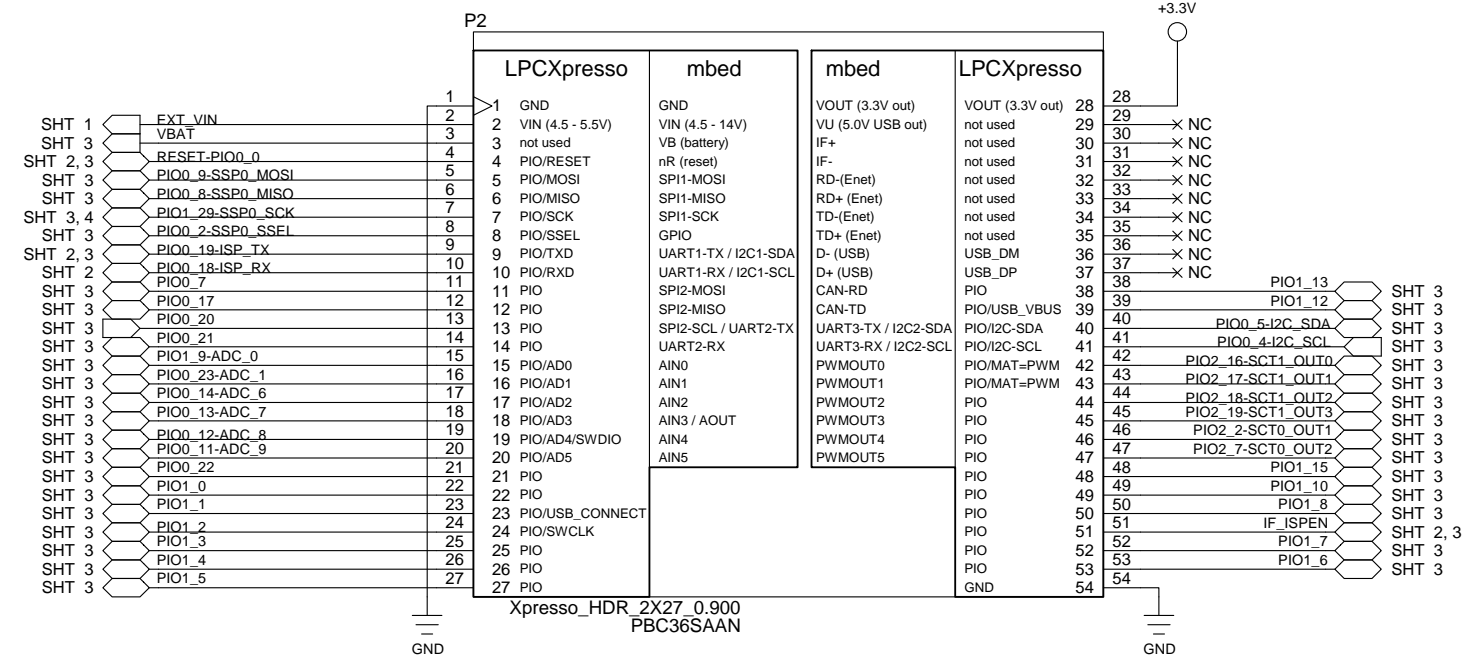
REVISIONS			
REV	DESCRIPTION	DATE	APPROVED

### PMOD compatible header



PMOD pin function	LPC11U68 supported function
Pin 1: GPIO/SPI-SSEL(out)/UART-CTS(in)	GPIO/SPI-SSEL(out)
Pin 2: GPIO/SPI-MOSI(out)/UART-TXD(out)	GPIO/SPI-MOSI(out)
Pin 3: GPIO/SPI-MISO(in)/UART-RXD(in)	GPIO/SPI-MISO(in)
Pin 4: GPIO/SPI-SCK(out)/UART-RTS(out)	GPIO/SPI-SCK(out)
Pin 5: GND	GND
Pin 6: VCC(3.3V)	VCC(3.3V)
Pin 7: GPIO/INT(in)	GPIO/INT(in)
Pin 8: GPIO/RESET(out)	GPIO/RESET(out)
Pin 9: GPIO	GPIO
Pin 10: GPIO	GPIO
Pin 11: GND	GND
Pin 12: VCC(3.3V)	VCC(3.3V)

### LPCXpresso brd header (Bottom side of PCB)



CONTRACT NO.				Xpresso MC/Arduino/PMOD headers			
APPROVALS	DATE	NXP Semiconductors		411 E. Plumeria Dr		San Jose, CA 95134	
DRAWN	d.consiglio	www.standardics.nxp.com/microcontrollers/		Xpresso-LPC11U68		REV B	
CHECKED	10/23/13	SIZE	FSCM NO.	DWG. NO.	SHEET 4 OF 04		
ISSUED	10/23/13	D					