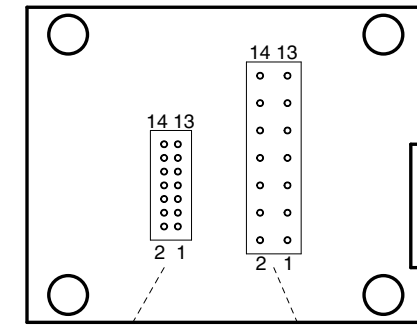
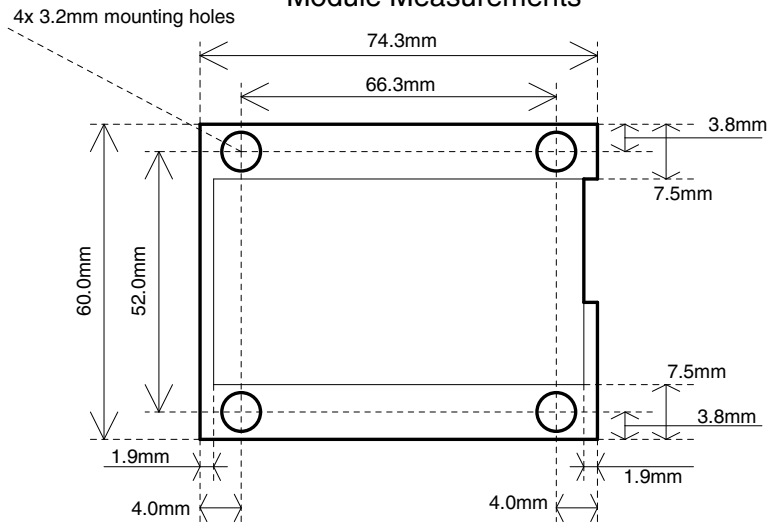


Display side

Component side

Module Measurements



50mil pitch connector

100mil pitch connector



© Embedded Artists AB

TITLE: E-paper Display Adapter Board rev B

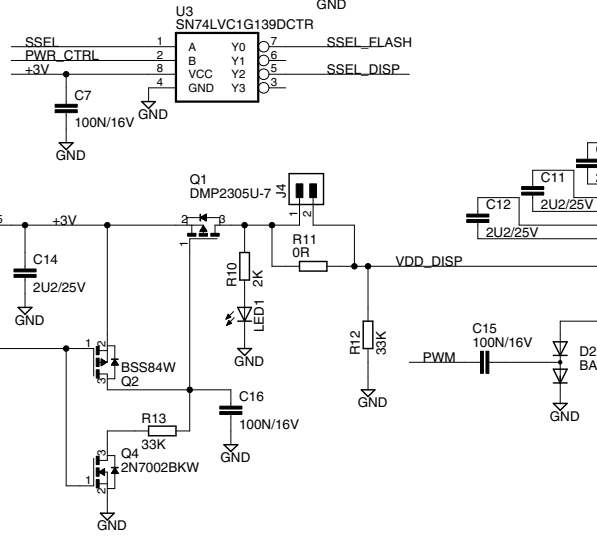
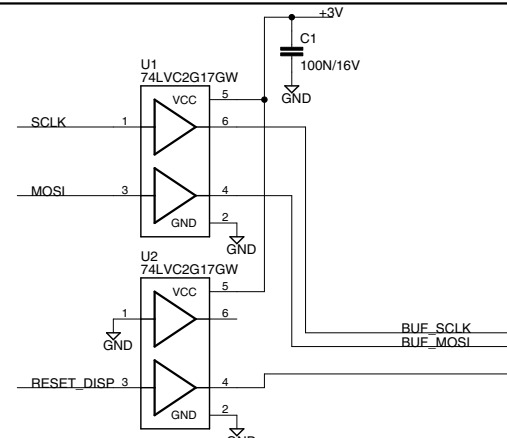
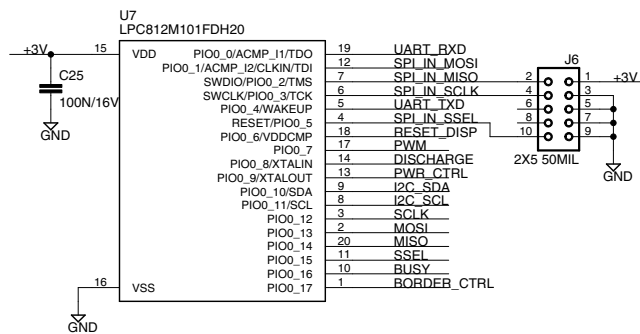
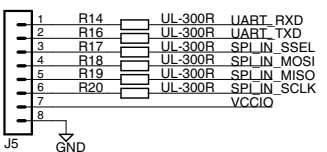
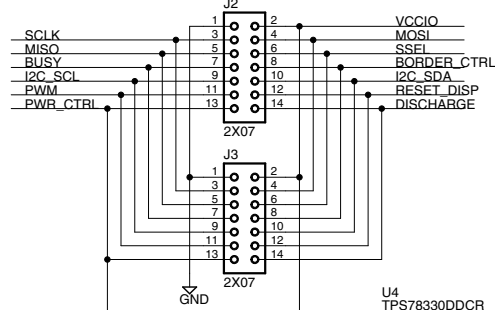
Document Number:

Date: 2013-03-07 10:44:57

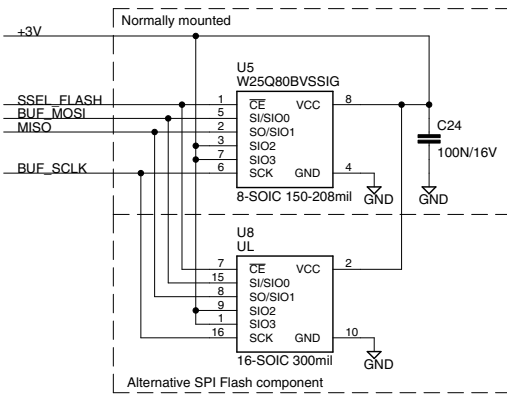
Sheet: 1/2

Serial Expansion Connector

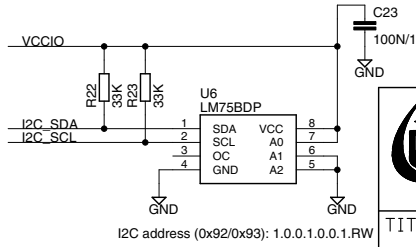
1: GND	2: VCC (3.3-5V, max 250mA)
3: SPI-SCK	4: SPI-MOSI
5: SPI-MISO	6: SPI-SSEL
7: UART-RX/GPIO	8: UART-TX/GPIO
9: I2C-SCL	10: I2C-SDA
11: GPIO	12: GPIO
13: AIN0/GPIO	14: AIN3/AOUT/GPIO



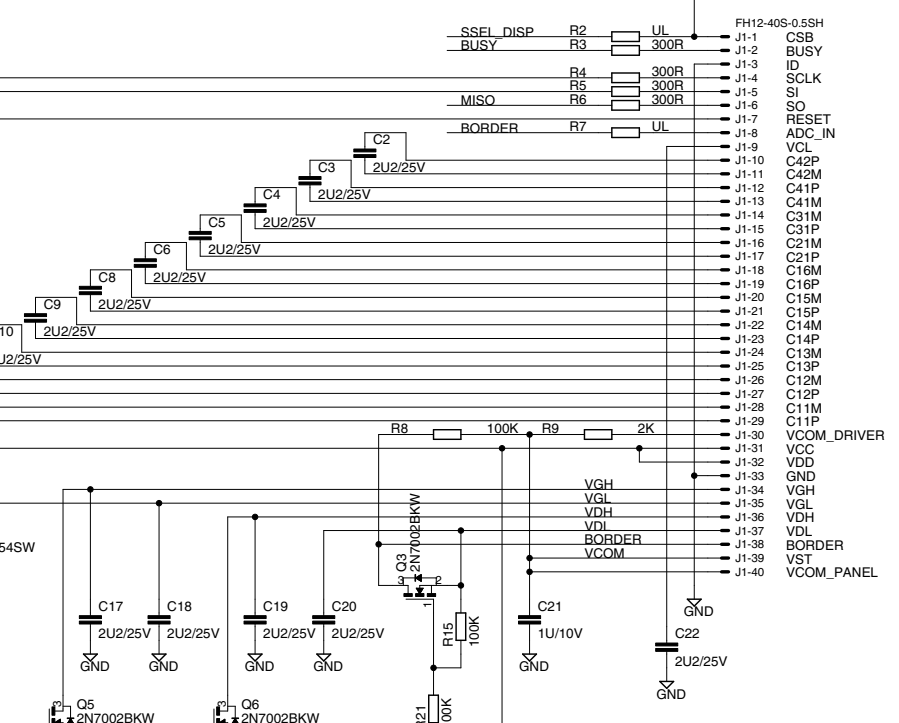
8Mbit SPI-NOR Flash



LM75 I2C Temperature Sensor



PDI Panel: EM027AS012



(C) Embedded Artists AB

TITLE: E-paper Display Adapter Board rev B

Document Number:

Date: 2013-03-07 10:44:57

Sheet: 2/2