

Page 2
LPC3154 Powering and Unused parts

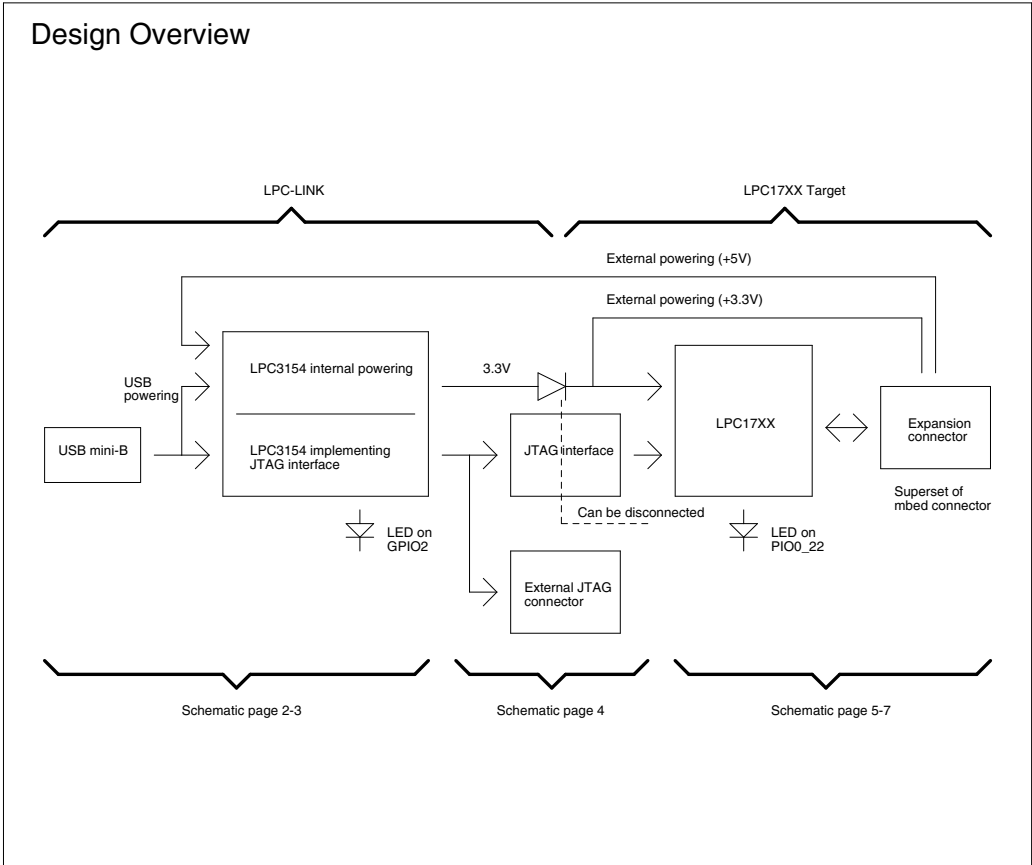
Page 3
LPC3154 Digital I/O

Page 4
JTAG Interface

Page 5
LPC17XX

Page 6
LPC17XX Ethernet and I2C-E2PROM

Page 7
LPC17XX Expansion connector



UL = UnLoaded = normally not mounted component.

Default jumper settings are indicated in the schematic.
However, always check jumper positions on actual boards
since there is no guarantee that all jumpers are in default place.



(C) Embedded Artists AB

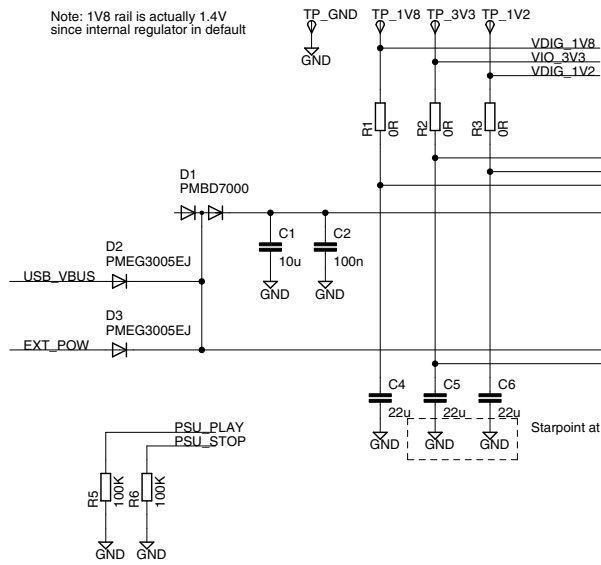
TITLE: LPCXpresso LPC1769 rev B

Document Number:

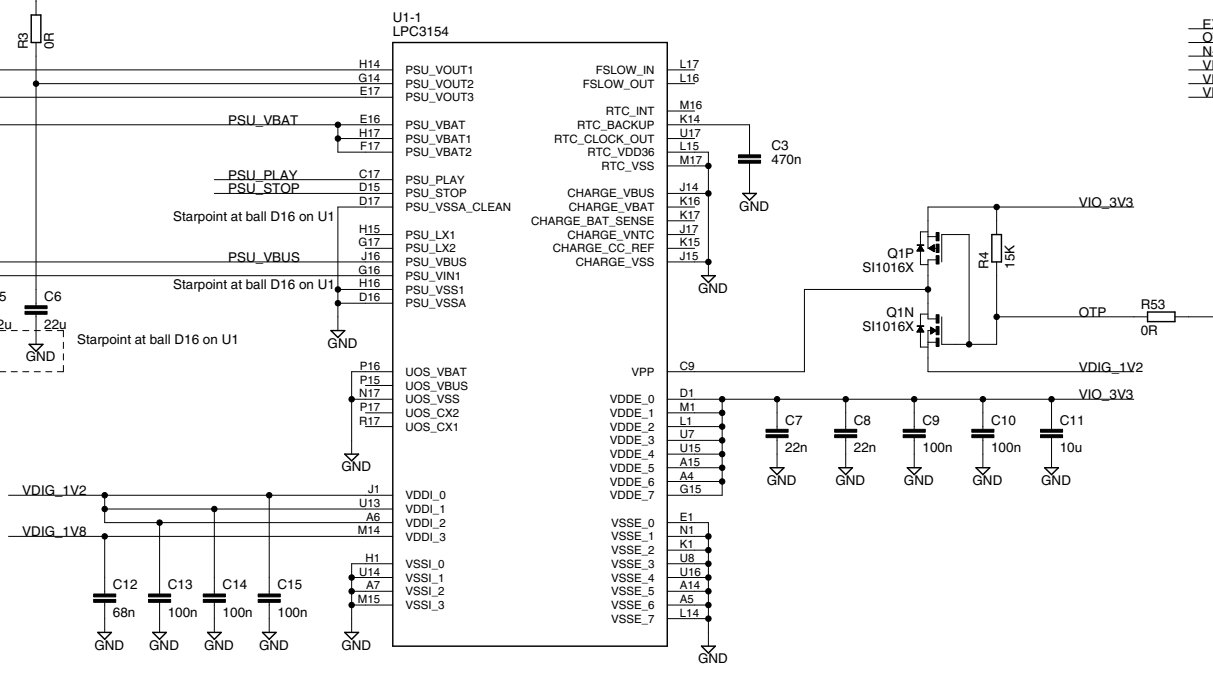
Date: 2011-02-11 07:09:51

Sheet: 1/7

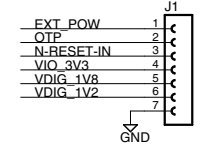
Note: 1V8 rail is actually 1.4V since internal regulator in default



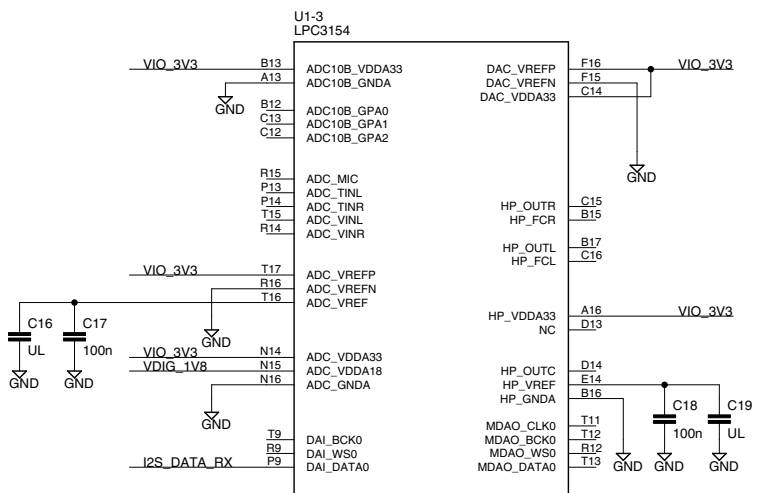
Power supply parts of LPC3154



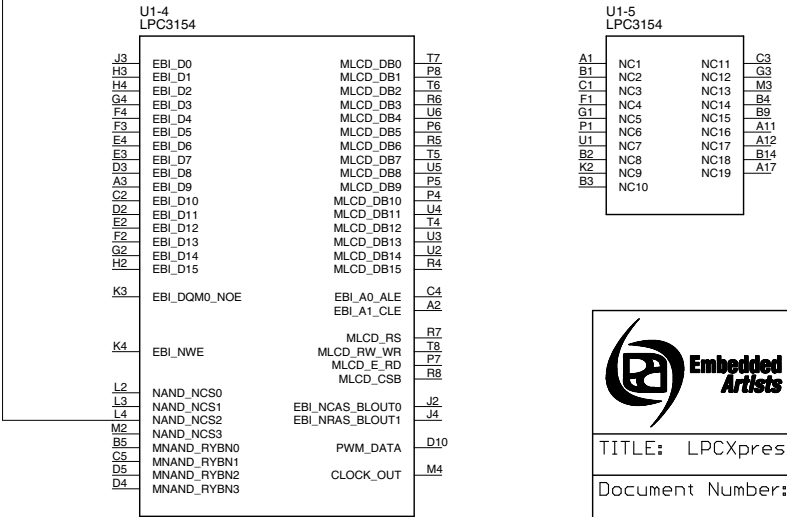
Production test connector



Analog parts of LPC3154



Not used parts of LPC3154



© Embedded Artists AB

TITLE: LPCpresso LPC1769 rev B

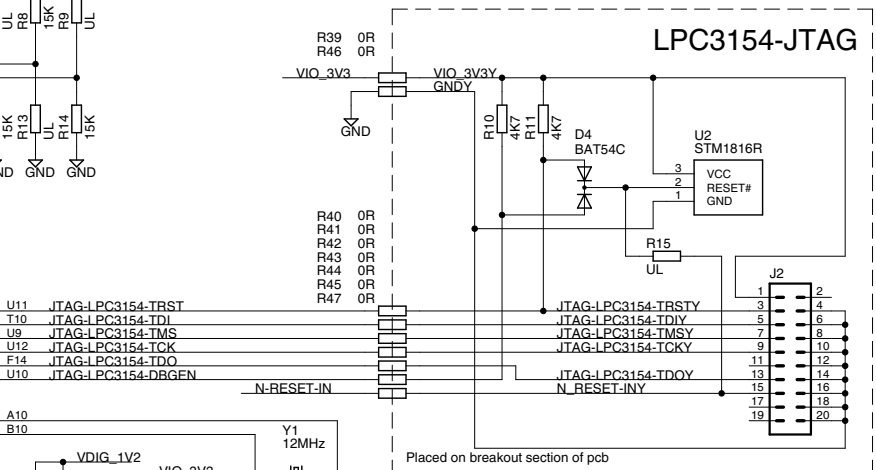
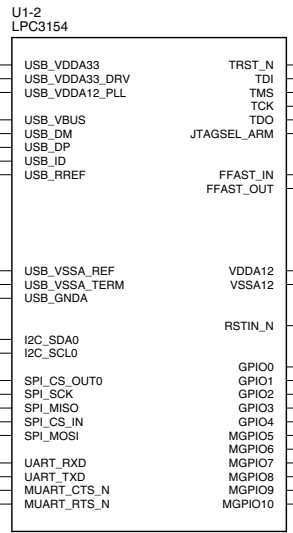
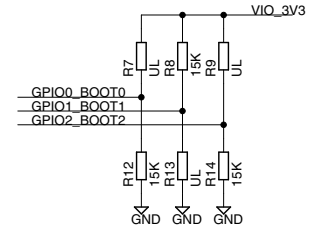
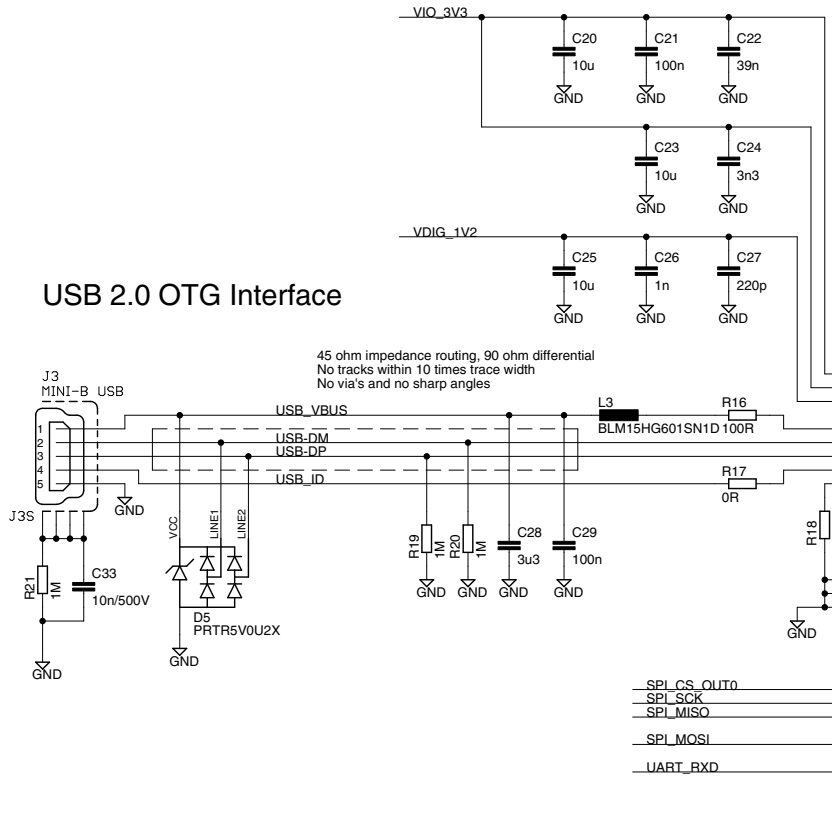
Document Number:

Date: 2011-02-11 07:09:51

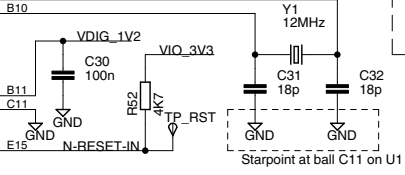
Sheet: 2/7

Boot mode - USB via DFU class

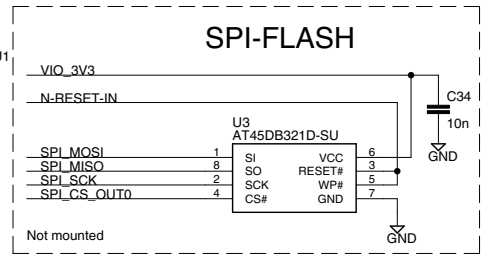
USB 2.0 OTG Interface



Placed on breakout section of pcb

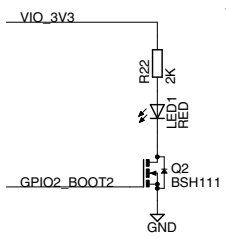


Starpoint at ball C11 on U1



Not mounted

LED



Embedded Artists

(C) Embedded Artists AB

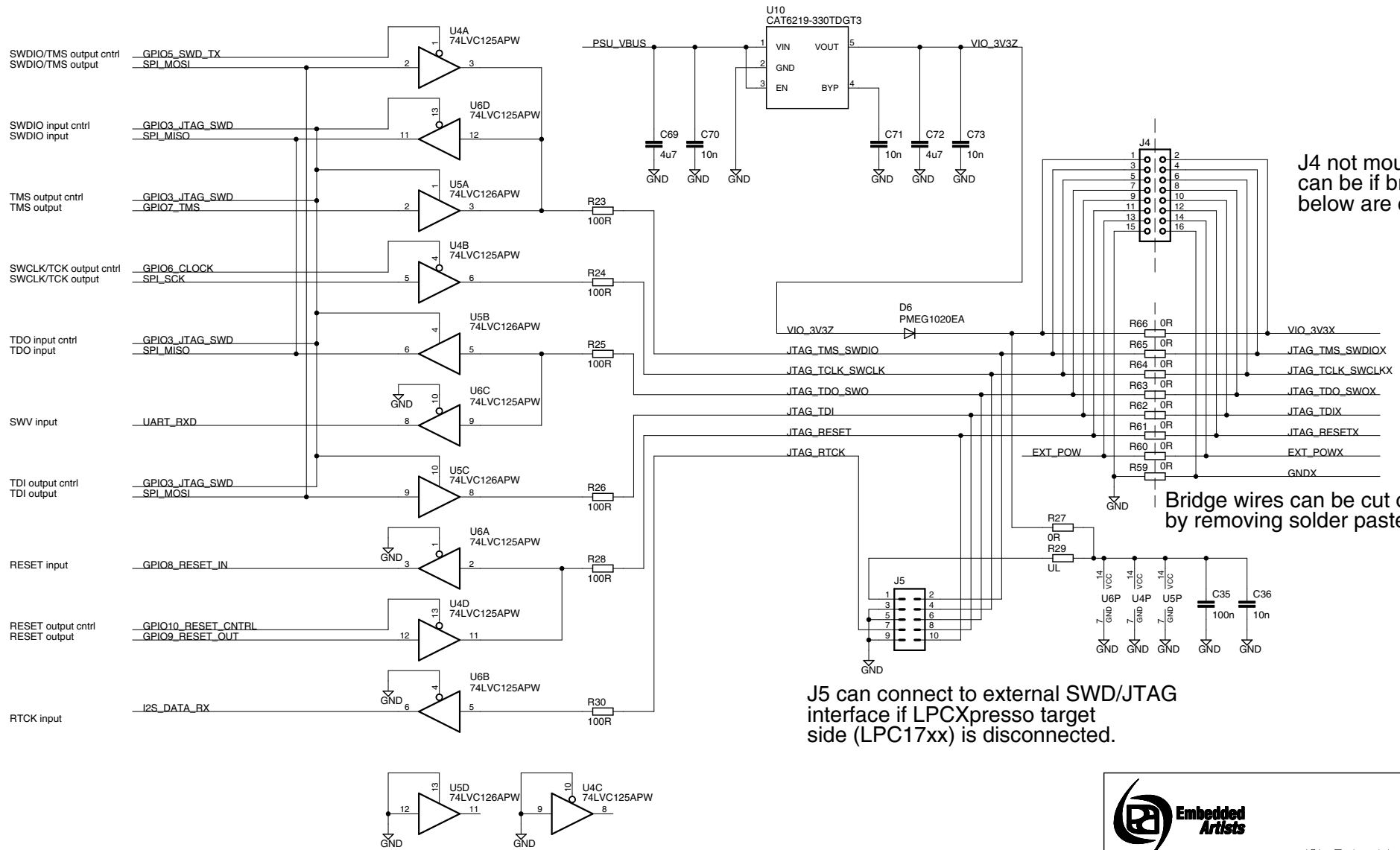
TITLE: LPCpresso LPC1769 rev B

Document Number:

Date: 2011-02-11 07:09:51

Sheet: 3/7

SWD/JTAG Interface



J4 not mounted, but can be if bridge wires below are cut.

Bridge wires can be cut on pcb by removing solder paste.

J5 can connect to external SWD/JTAG interface if LPCXpresso target side (LPC17xx) is disconnected.



© Embedded Artists AB

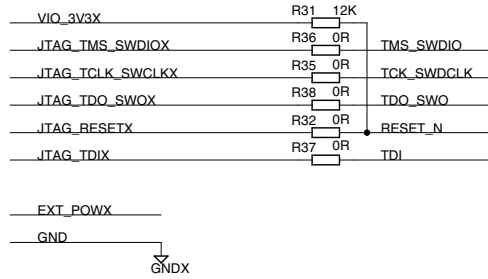
TITLE: LPCXpresso LPC1769 rev B

Document Number:

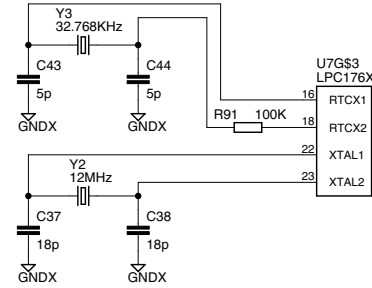
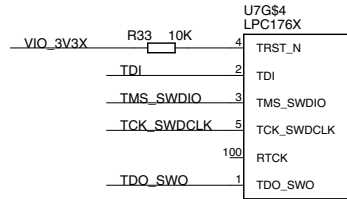
Date: 2011-02-11 07:09:51

Sheet: 4/7

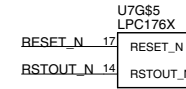
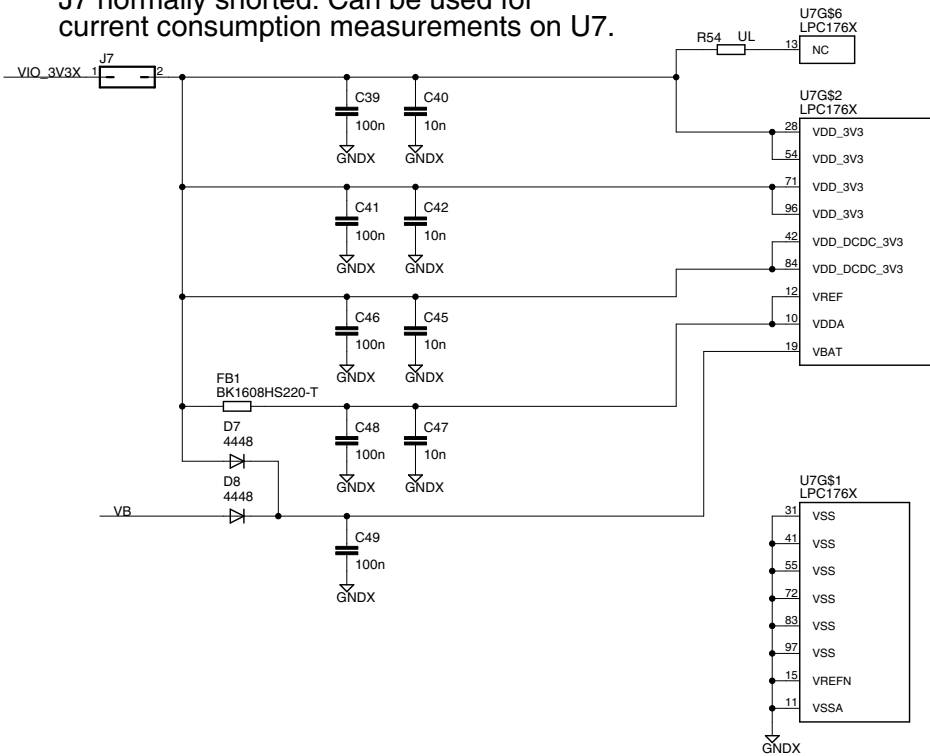
From LPC-LINK Side



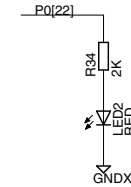
LPC176X Target Side



J7 normally shorted. Can be used for current consumption measurements on U7.



LED



© Embedded Artists AB

TITLE: LPCpresso LPC1769 rev B

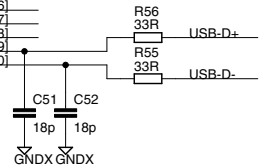
Document Number:

Date: 2011-02-11 07:09:51

Sheet: 5/7

U7G\$7
LPC176X

P0.0_RD1_TXD3_SDA1	46	P0[0]
P0.1_TD1_RXD3_SCL1	47	P0[1]
P0.2_TXD0_ADO.7	98	P0[2]
P0.3_RXD0_ADO.6	99	P0[3]
P0.4_I2SRX-CLK_RD2_CAP2.0	81	P0[4]
P0.5_I2SRX-WS_TD2_CAP2.1	80	P0[5]
P0.6_I2SRX-SDA_SSEL1_MAT2.0	79	P0[6]
P0.7_I2STX-CLK_SCK1_MAT2.1	78	P0[7]
P0.8_I2STX-WS_MISO1_MAT2.2	77	P0[8]
P0.9_I2STX-SDA_MOSI1_MAT2.3	76	P0[9]
P0.10_TXD2_SDA2_MAT3.0	48	P0[10]
P0.11_RXD2_SCL2_MAT3.1	49	P0[11]
P0.15_TXD1_SCK0_SCK	62	P0[15]
P0.16_RXD1_SSEL0_SSEL	63	P0[16]
P0.17_CTS1_MISO0_MISO	61	P0[17]
P0.18_DCD1_MOSI0_MOSI	60	P0[18]
P0.19_DSR1_SDA1	59	P0[19]
P0.20_DTR1_SCL1	58	P0[20]
P0.21_RI1_RD1	57	P0[21]
P0.22_RTS1_TD1	56	P0[22]
P0.23_ADO.0_I2SRX-CLK_CAP3.0	9	P0[23]
P0.24_ADO.1_I2SRX-WS_CAP3.1	8	P0[24]
P0.25_ADO.2_I2SRX-SDA_TXD3	7	P0[25]
P0.26_ADO.3_AOUT_RXD3	6	P0[26]
P0.27_SDA0_USB-SDA1	25	P0[27]
P0.28_SCL0_USB-SCL1	24	P0[28]
P0.29_USB-D+	29	P0[29]
P0.30_USB-D-	30	P0[30]



U7G\$8
LPC176X

P1.0_ENET-TXD0	95	P1[0]
P1.1_ENET-TXD1	94	P1[1]
P1.4_ENET-TX_EN	93	P1[4]
P1.8_ENET-CRS	92	P1[8]
P1.9_ENET-RXD0	91	P1[9]
P1.10_ENET-RXD1	90	P1[10]
P1.14_ENET-RX_ER	89	P1[14]
P1.15_ENET-REF_CLK	87	P1[16]
P1.16_ENET-MDC	86	P1[17]
P1.17_ENET-MDIO	82	P1[18]
P1.18_USB-UP-LED_PWM1.1_CAP1.0	33	P1[19]
P1.19_MC0A_USB-PPWR-N_CAP1.1	34	P1[20]
P1.20_MCFB0_PWM1.2_SCK0	35	P1[21]
P1.21_MCABORT_PWM1.3_SSEL0	36	P1[22]
P1.22_MC0B_USB-PWRD_MAT1.0	37	P1[23]
P1.23_MCFB1_PWM1.4_MISO0	38	P1[24]
P1.24_MCFB2_PWM1.5_MOSI0	39	P1[25]
P1.25_MC1A_MAT1.1	40	P1[26]
P1.26_MC1B_PWM1.6_CAP0.0	43	P1[27]
P1.27_CLKOUT_USB-OVRCR-N_CAP0.1	44	P1[28]
P1.28_MC2A_PCAP1.0_MAT0.0	45	P1[29]
P1.29_MC2B_PCAP1.1_MAT0.1	21	P1[30]
P1.30_VBUS_ADO.4	20	P1[31]
P1.31_SCK1_ADO.5		

U7G\$9
LPC176X

P2.0_PWM1.1_TXD1	75	P2[0]
P2.1_PWM1.2_RXD1	74	P2[1]
P2.2_PWM1.3_CTS1_TRACEDATA[3]	73	P2[2]
P2.3_PWM1.4_DCD1_TRACEDATA[2]	70	P2[3]
P2.4_PWM1.5_DSR1_TRACEDATA[1]	69	P2[4]
P2.5_PWM1.6_DTR1_TRACEDATA[0]	68	P2[5]
P2.6_PCAP1.0_RI1_TRACECLK	67	P2[6]
P2.7_RD2_RTS1	66	P2[7]
P2.8_TD2_TXD2	65	P2[8]
P2.9_USB-CONNECT_RXD2	64	P2[9]
P2.10_EINT0-N_NMI	53	P2[10]
P2.11_EINT1-N_I2STX-CLK	52	P2[11]
P2.12_EINT2-N_I2STX-WS	51	P2[12]
P2.13_EINT3-N_I2STX-SDA	50	P2[13]

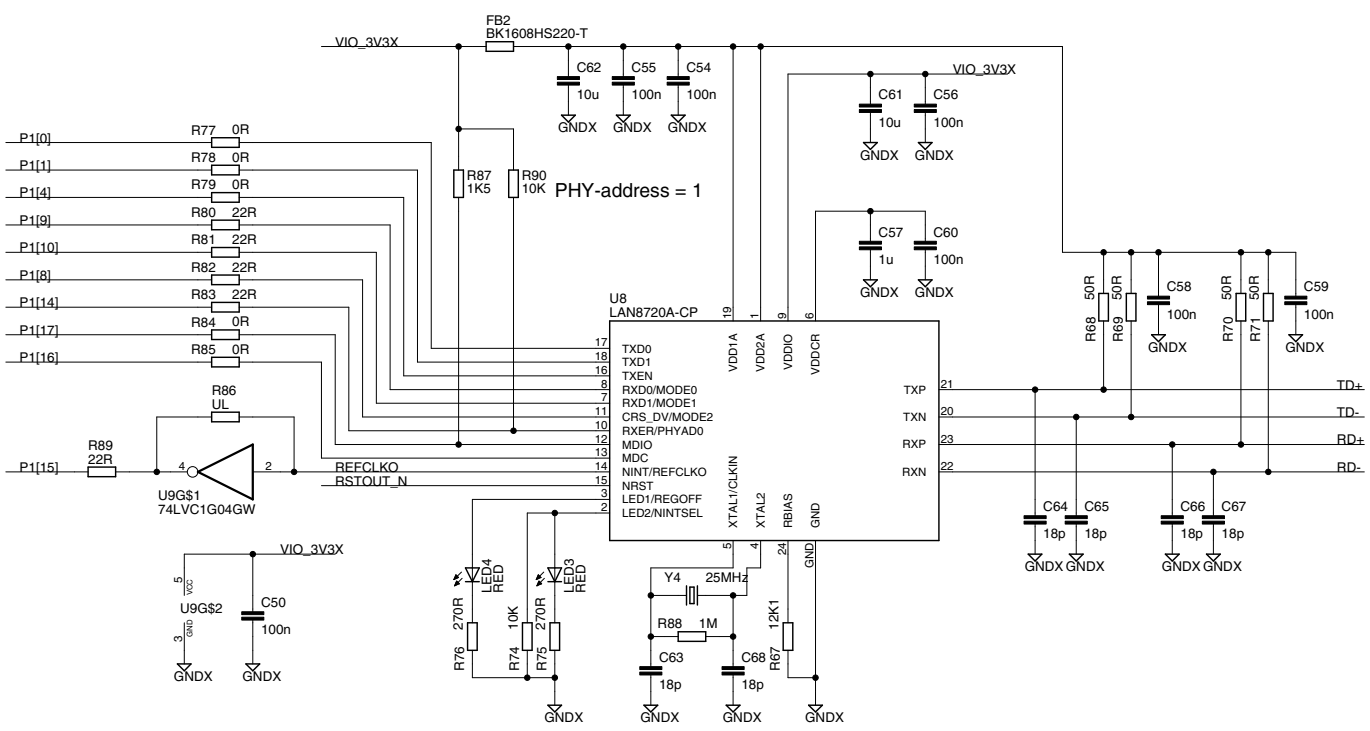
U7G\$10
LPC176X

P3.25_MAT0.0_PWM1.2	27	P3[25]
P3.26_STCLK_MAT0.1_PWM1.3	26	P3[26]

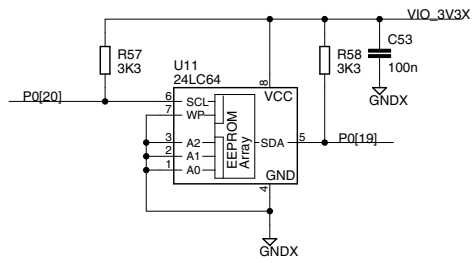
U7G\$11
LPC176X

P4.28_RX-MCLK_MAT2.0_TXD3	82	P4[28]
P4.29_TX-MCLK_MAT2.1_RXD3	85	P4[29]

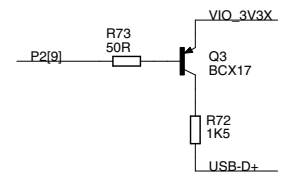
10/100M Ethernet PHY (LAN8720)



I2C-E2PROM



USB pullup for USB Device operation



(C) Embedded Artists AB

TITLE: LPCpresso LPC1769 rev B

Document Number:

Date: 2011-02-11 07:09:51

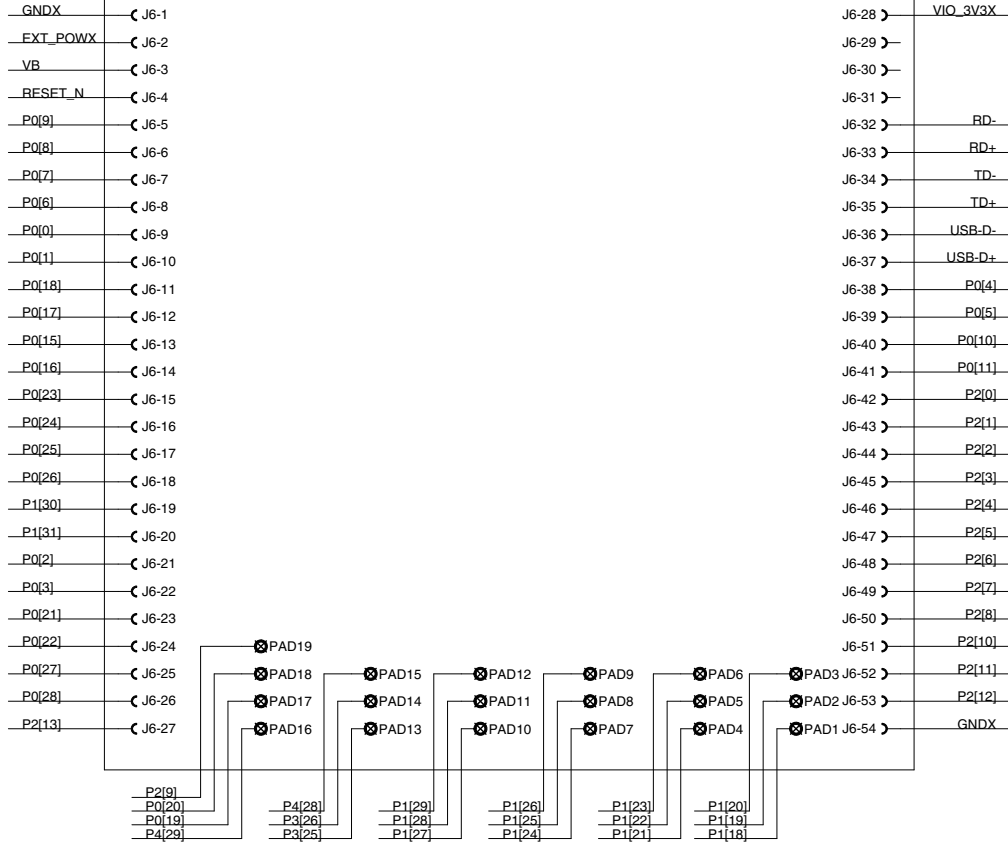
Sheet: 6/7

↑
LPC-LINK side

Expansion Connector (superset of mbed pinning)

Dual row holes (2x27), 100 mil spacing

mbed	LPCXpresso
GND	GND
VIN (4.5-14V)	VIN (4.5-5.5V)
VB (battery supply)	VB (battery supply)
nR (reset)	RESET_N
SPI1-MOSI	P0.9 MOSI1
SPI1-MISO	P0.8 MISO1
SPI1-SCK	P0.7 SCK1
GPIO	P0.6 SSEL1
UART1-TX / I2C1-SDA	P0.0 TXD3/SDA1
UART1-RX / I2C1-SCL	P0.1 RXD3/SCL1
SPI2-MOSI	P0.18 MOSI0
SPI2-MISO	P0.17 MISO0
SPI2-SCL / UART2-TX	P0.15 TXD1/SCK0
UART2-RX	P0.16 RXD1/SSEL0
AIN0	P0.23 AD0.0
AIN1	P0.24 AD0.1
AIN2	P0.25 AD0.2
AIN3 / AOUT	P0.26 AD0.3/AOUT
AIN4	P1.30 AD0.4
AIN5	P1.31 AD0.5
	P0.2
	P0.3
	P0.21
	P0.22
	P0.27
	P0.28
	P2.13



LPCXpresso	mbed
VOUT (+3.3V out) if self powered, else +3.3V input	VOUT (3.3V out)
not used	VU (5.0V USB out)
not used	IF+
not used	IF-
RD-	RD- (Ethernet)
RD+	RD+ (Ethernet)
TD-	TD- (Ethernet)
TD+	TD+ (Ethernet)
USB-D-	D- (USB)
USB-D+	D+ (USB)
P0.4	CAN_RX2
P0.5	CAN_TX2
P0.10	TXD2/SDA2
P0.11	RXD2/SCL2
P2.0	PWM1.1
P2.1	PWM1.2
P2.2	PWM1.3
P2.3	PWM1.4
P2.4	PWM1.5
P2.5	PWM1.6
P2.6	
P2.7	
P2.8	
P2.10	
P2.11	
P2.12	
GND	